



LIVING DESIGN RADIATORS

AESTHETIC HEATING
FOR AN INDIVIDUAL
STYLE OF LIVING

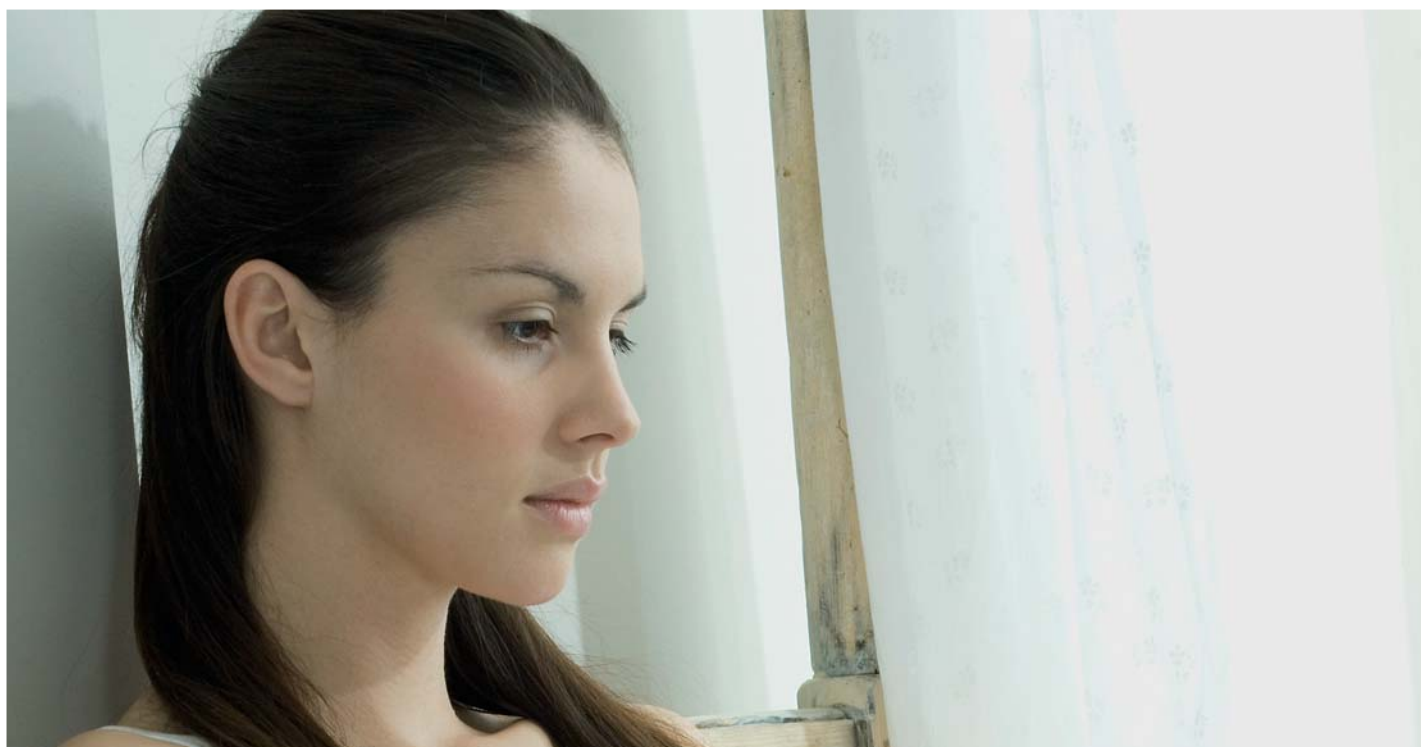
arbonia

including Arbonia
products







PRICE LIST

2011

Retail prices including VAT



D E S I G N R A D I A T O R S

		Page			Page
	IDEOS®	8		BAGNOTHERM Straight Version Curved Version	22 24
	FEDON®	10		MEZZO-QUADRO®	26
	OPTOTHERM®	12		BASIC® Straight Version Curved Version	28 30
	PLANATHERM®	14		CREDO®-HALF®	32
	JIVE®	16		CREDO®	34
	ICARO®	18		CREDO-SWING®	36
	CREDO-UNO®II	20			



H E A T I N G R A D I A T O R S

	Page
 KAROTHERM®	38
 HEATING WALL	40
 COLUMN RADIATOR Wall hung 42 Floor mounted 44	
 CREA®THERM Single Layer 46 Double Layer 48	
 ARBOTHERM	50
 WINDOW CONVECTOR	52
Accessories	54
Electric options: All electric and multi-function	62
Summer heating kits	64
All electric options and relevant surcharges	66
Arbonia colour range	68
Kermi colour range	70

All prices shown are retail including VAT.

Whilst every care has been taken to ensure that the information included in this document was accurate at the time of printing, we reserve the right to change specifications and prices at any time. We will not accept liability for errors or misprints. E&OE.

The photography used in this brochure is for illustration purposes only, any accessories must be purchased separately. Subject to the general terms and conditions of Kermi (U.K.) Limited. Kermi is a registered trademark.

© by Kermi (U.K.) Limited. 7 Brunel Road, Earlstrees Industrial Estate, Corby, Northants NN17 4 JW.

The document including all of its parts is protected by copyright. Any unauthorised use without the prior consent of the creator is not permitted. This includes reproductions, translations, microfilming and storage and processing in electronic systems.

Simply relax -
with the security of
a strong brand.

WHY YOU CAN EXPECT MORE FROM US.

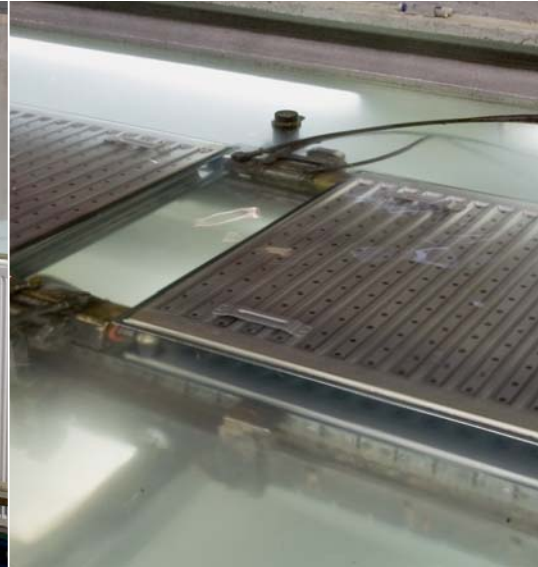
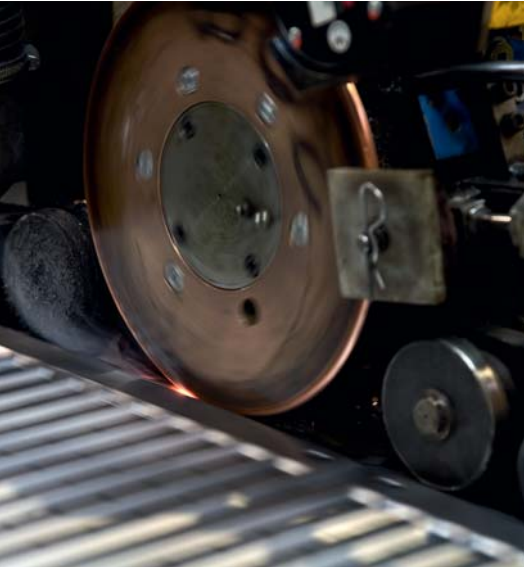


Water and warmth are our world.

Comfort and freshness. Kermi provides both in a unique competent way. With the know-how of more than 50 years of experience. As a company in the AFG Arbonia-Forster-Holding AG with its headquarters in Lower Bavaria, Kermi is among the leading European manufacturers for heating technology and shower enclosures. With a highly qualified staff of approximately 1300, the most modern technology and trend-setting design solutions. For a comfortable home.

We deliver quality of life.

At Kermi highest quality has absolute priority. Kermi sets a high standard of quality beginning with product development, through the selection of materials and strict testing to a demanding final inspection. Far in excess of the standard, guaranteed by international seals of quality and certified by an uncompromising quality assurance system with certification according to DIN EN ISO 9001:2008 and 14001:2004.



Kermi turns comfort into style.

The requirement of high quality also manifests itself in the quality of the design. In co-operation with the creativity of expert designers, styles that re-define heating design and showering comfort have their origin in the Kermi product development department. Trendsetting design. Exceptional, individual and unique. It is not by chance that Kermi products have been honoured by major awards for design again and again.

New thinking for new requirements.

Kermi developments are and have often been pioneering achievements. Numerous innovations that remain unrivalled to date, attest to this. Advantage through ideas. Whether in the field of advanced, environmentally friendly production or intelligent installation, optimised operation or unmatched comfort – right up to the up-to-date, revolutionary concept for efficient energy saving during heat distribution that is unique all over the world.



When visiting our website www.kermi.co.uk you will find details of our company and our brand along with specifications of our shower enclosure and heating programmes.

Heating progress
of outstanding
quality.

HIGHEST QUALITY HAS FIRST PRIORITY.



5 year guarantee
against manufacturing
defect.



RAL logo guarantees
the highest quality.



Heat emission
in accordance with
European standard
DIN EN 442.



Accredited to
DIN EN 9001:2008 quality
management system.
Responsible environmental
management according to
DIN EN 14001:2004.



Reliable product quality in
accordance with EN 442.



At Kermi highest quality has first priority.

Kermi sets a high standard of quality beginning with product development, through the selection of materials and strict testing to a demanding final inspection. In addition to the CE logo and the European DIN EN 442 standard, the RAL logo and an uncompromising quality assurance system certified in accordance with DIN EN ISO 9001:2008 and 14001:2004 guarantee high quality.



The RAL logo guarantees the highest quality.

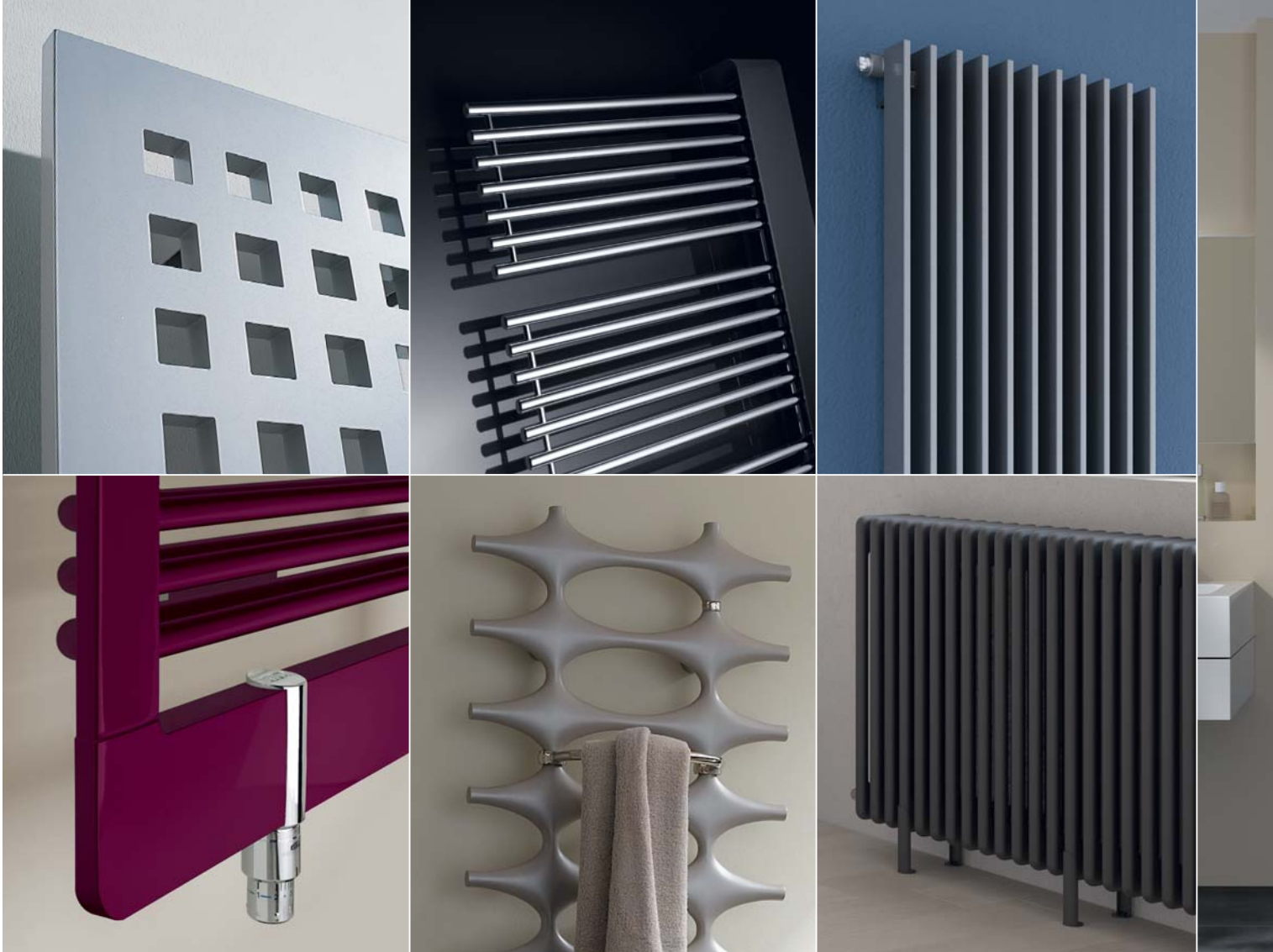
Through the RAL quality logo, Kermi radiators guarantee extensive quality features far in excess of the standard. For example, precisely defined material quality.

Material quality as well as the entire production process and the standard heat output are constantly monitored.

Precise welding, pressure testing far in excess of the permissible operating pressure, high quality priming and a sparkling paint finish are additional RAL features that ensure safety and a brilliance.

Perfect in form and function.

TRENDSETTING DESIGN WITH UNMISTAKABLE FLAIR.



Creative heating design for a modern bathroom and living room culture.

Individual design and high quality manufacturing processes make Kermi and Arbonia design radiators the ideal choice in your bathroom, kitchen or living area.

Our design radiators have been recognised and received numerous awards world-wide for their design and superior finish. Whilst traditionally used in the bathroom area the wide range of colours and finishes means that the products can be used as a feature in any room.



Fedon
"design plus 2009"
"iF product design
award 2010"

Plantherm
„iF product design
award 2010“

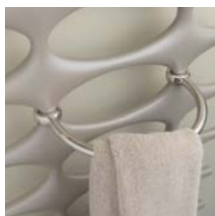
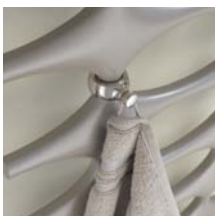
Bagnotherm
„reddot design
award 2005“
„iF product design
award 2006“

Crede-Half
„iF product design
award 2006“
„design plus 2007“

Crede
„reddot design
award 2005“

Trend setting
design with
unmistakable flair

IDEOS®





RAL logo guarantees the highest quality.



Reliable product quality in accordance with EN 442.

Standard version prices and heating efficiency								
Height mm	Width mm	Depth mm	Heating efficiency $\Delta T=50$ (75/65/20)		Product code	Price 1 White	Price 2 Standard Colour	Price 3 Special Editions
			btu	watts				
776	508	37	894	262	IDN10080050.XXK	£459.67	£505.63	£551.60
1151	508	37	1.308	383	IDN10120050.XXK	£610.09	£671.10	£732.11
1151	758	37	1.925	564	IDN10120075.XXK	£818.73	£900.60	£982.47
1526	508	37	1.789	524	IDN10150050.XXK	£760.50	£836.55	£912.60
1526	758	37	2.636	772	IDN10150075.XXK	£1,034.34	£1,137.78	£1,241.21
1901	508	37	2.151	630	IDN10190050.XXK	£910.88	£1,001.97	£1,093.05
1901	758	37	3.288	963	IDN10190075.XXK	£1,249.96	£1,374.95	£1,499.95

Valve version available with an additional surcharge of £190.56 incl VAT.

Please request technical data sheet from our sales office.

operating pressure 6 bar at maximum
operating conditions hot water up to 110° C



Accessories:

✚ see page 54, 60

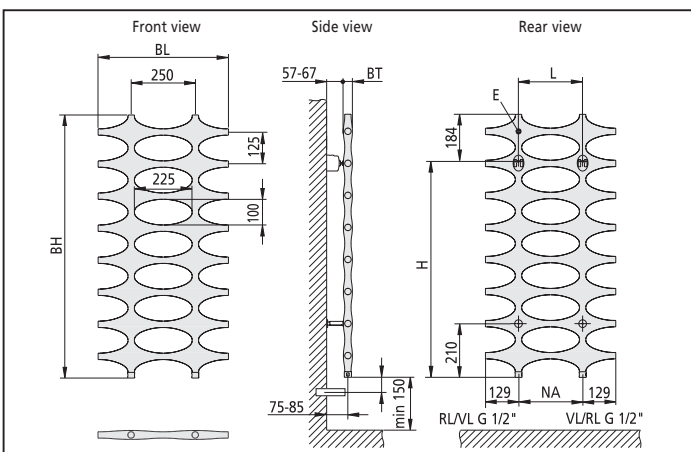


Special features:

- ✚ Available in standard or valve versions
- ✚ Concealed wall mounting brackets
- ✚ Heights from 776 to 1901 mm
- ✚ Overall widths 508 and 758 mm



Picture shows optional valve version



Minimum distance between floor and bottom edge of radiator should be 150 mm.

Technical data								
BH mm	BL mm	BT mm	NA mm	H mm	L mm	weight kg	water content l	
776	508	37	250	592	250	5,10	3,7	
1151	508	37	250	967	250	7,60	5,5	
1151	758	37	500	967	500	11,30	8,1	
1526	508	37	250	1342	250	10,20	7,1	
1526	758	37	500	1342	500	14,90	10,9	
1901	508	37	250	1717	250	12,50	9,1	
1901	758	37	500	1717	500	18,60	13,6	

Key:
BH: actual height
BL: actual length
BT: depth
NA: distance between tapping centres

H: distance from top fixing point to bottom edge of connection thread
L: distance between fixing points
VL/RL: flow or return
E: air vent

Setting
new standards
in discerning
heating design

FEDON®





RAL logo guarantees the highest quality.



Reliable product quality in accordance with EN 442.

Prices and heating efficiency

Height mm	Width mm	Depth mm	Heating efficiency $\Delta T=50$ (75/65/20)		Product code	Price 1 White	Price 2 Standard Colour	Price 3 Special Editions
			btu	watts				
1048	510	50	1.700	498	DFV10100050..XK	£634.90	£698.39	£761.88
1648	510	50	2.547	746	DFV10160050..XK	£844.90	£929.39	£1,013.88
1648	691	50	3.264	956	DFV10160070..XK	£918.15	£1,009.97	£1,101.78
1948	510	50	3.134	918	DFV10190050..XK	£888.85	£977.74	£1,066.62
1948	691	50	3.646	1068	DFV10190070..XK	£991.41	£1,090.55	£1,189.69

Please note: Accessories are only available for models with channel.

Please specify handing when ordering.

Picture shows left hand model with accessory channel.

Left hand version with accessory channel and l/h thermostatic control.
 Right hand version with accessory channel and r/h thermostatic control.
 Left hand thermostatic control with no accessory channel.
 Right hand thermostatic control with no accessory channel.

operating pressure 10 bar at maximum
 operating conditions hot water up to 90° C



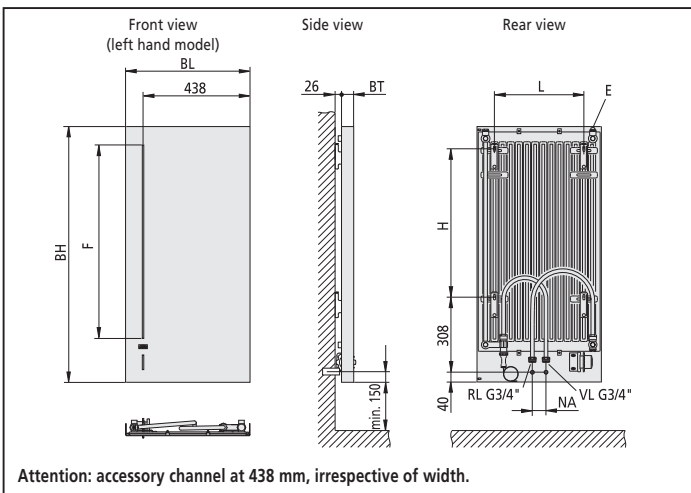
Accessories:

⊕ see page 54, 55



Special features:

- ⊕ Integrated thermostatic sensor head
- ⊕ Concealed accessory fittings
- ⊕ Innovative and multi-functional
- ⊕ Heights from 1048 - 1948 mm
- ⊕ Widths 510 and 691 mm



Minimum distance between floor and bottom edge of radiator should be 150 mm.

Technical data									
BH mm	BL mm	BT mm	NA mm	H mm	F mm	L mm	weight kg	water content l	
1048	510	50	50	609	793	367	19,20	2,50	
1648	510	50	50	1209	1393	367	30,60	3,90	
1648	691	50	50	1209	1393	467	38,20	4,70	
1948	510	50	50	1509	1693	367	36,50	4,70	
1948	691	50	50	1509	1693	467	46,30	5,60	

- Key:
- BH: actual height
 - BL: actual length
 - BT: depth
 - NA: distance between tapping centres
 - H: distance between fixing points
 - F: height of accessory channel
 - L: distance between fixing points
 - VL/RL: flow or return
 - E: air vent



An impressive
interior solution

OPTOTHERM®

arbonia

MADE BY ARBONIA





RAL logo guarantees the highest quality.

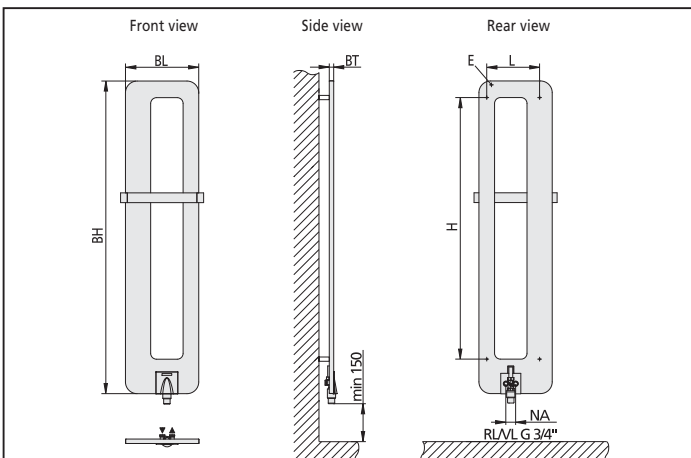


Reliable product quality in accordance with EN 442.

Vertical version prices and heating efficiency								
Height mm	Width mm	Depth mm	Heating efficiency $\Delta T=50$ (75/65/20)		Product code	Price 1 White	Price 2 Standard Colour	Price 3 Metallic or Special RAL
			btu	watts				
1600	375	22	1.342	393	KQN10160037...A	£1,548.01	£1,702.81	£1,857.61
1750	500	22	1.861	545	KQN10175050...A	£1,853.09	£2,038.40	£2,223.71

operating pressure 4 bar at maximum
operating conditions hot water up to 120° C

Picture shows left hand model with optional mirror, please quote at the point of order.



Technical data							
BH mm	BL mm	BT mm	NA mm	H mm	L mm	weight kg	water content l
1600	375	22	50	1377	264	17,20	3,90
1750	500	22	50	1610	343	25,60	5,80

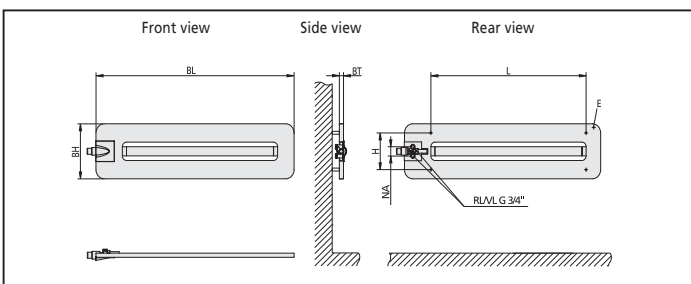
Key:
BH: actual height
BL: actual length
BT: depth
NA: distance between tapping centres
H: distance from top fixing point to bottom fixing point
L: distance between fixing points
VL/RL: flow or return
E: air vent

Minimum distance between floor and bottom edge of radiator should be 150 mm.

Horizontal version prices and heating efficiency								
Height mm	Width mm	Depth mm	Heating efficiency $\Delta T=50$ (75/65/20)		Product code	Price 1 White	Price 2 Standard Colour	Price 3 Metallic or Special RAL
			btu	watts				
300	1200	22	1.191	349	KQN11037120...A	£1,344.62	£1,479.09	£1,613.55

operating pressure 4 bar at maximum
operating conditions hot water up to 120° C

Picture shows left hand model, please quote handing at the point of order.



Technical data							
BH mm	BL mm	BT mm	NA mm	H mm	L mm	weight kg	water content l
300	1200	22	50	200	935	13,50	3,60

Key:
BH: actual height
BL: actual length
BT: depth
NA: distance between tapping centres
H: distance from top fixing point to bottom fixing point
L: distance between fixing points
VL/RL: flow or return
E: air vent



Accessories:

+ see page 57



Special features:

- + Vertical model available with mirrored or self coloured inlay panel upon request
- + Complete with integrated thermostatic control and valve
- + Concealed connections
- + Integrated chrome towel rail

Radiator design
at its finest

PLANTHERM®

arbonia

MADE BY ARBONIA





RAL logo guarantees the highest quality.



Reliable product quality in accordance with EN 442.

Prices and heating efficiency								
Height mm	Width mm	Depth mm	Heating efficiency $\Delta T=50$ (75/65/20)		Product code	Price 1 White	Price 2 Standard Colour	Price 3 Metallic or Special RAL
			btu	watts				
1500	450	22	2.113	619	KPN10150045...A	£1,468.92	£1,615.81	£1,762.70
1500	600	22	2.513	736	KPN10150060...A	£1,638.40	£1,802.24	£1,966.08
1500	700	22	3.021	885	KPN10150070...A	£1,762.69	£1,938.96	£2,115.23

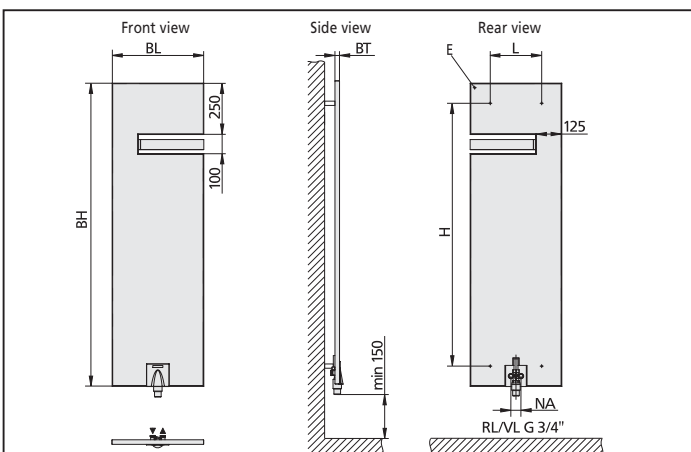
Picture shows right hand model, please quote handing at the point of order.

operating pressure 4 bar at maximum
operating conditions hot water up to 90° C



Special features:

- + Unique laser welding technology
- + Concealed connections
- + Complete with integrated thermostatic control and valve
- + Integrated chrome towel rail



Minimum distance between floor and bottom edge of radiator should be 150 mm.

Technical data							
BH mm	BL mm	BT mm	NA mm	H mm	L mm	weight kg	water content l
1500	450	22	50	1330	318	30,60	7,9
1500	600	22	50	1330	444	40,40	10,1
1500	700	22	50	1330	572	55,60	12,2

Key:
 BH: actual height
 BL: actual length
 BT: depth
 NA: distance between tapping centres
 H: distance from top fixing point to bottom fixing point
 L: distance between fixing points
 VL/RL: flow or return
 E: air vent

Asymmetrical piping
and brilliant panel
design

JIVE®



Electric options:

- + Summer heating kit available, see page 64 - 65
- + All electric versions available (for single layer only), see page 66



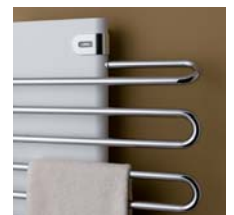
Accessories:

- + see page 60



Special features:

- + Complete with integrated thermostatic control and valve
- + Concealed connections and mountings
- + Supplied with flexible pipe connections
- + Overall heights 1500 and 1800 mm
- + Overall widths 500 and 600 mm





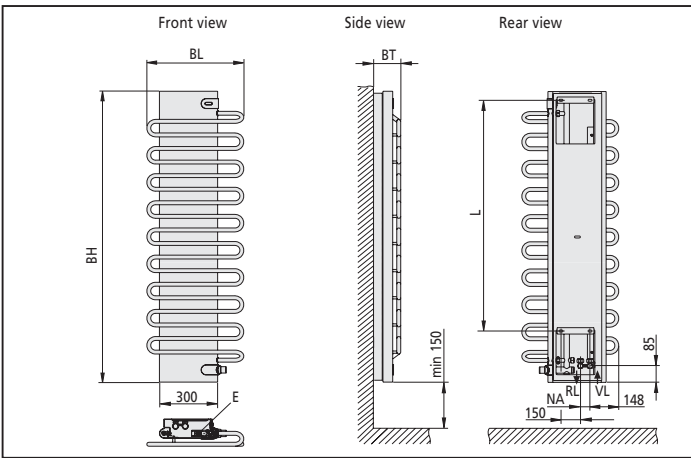
RAL logo guarantees the highest quality.



Reliable product quality in accordance with EN 442.

Single layer prices and heating efficiency

Height mm	Width mm	Depth mm	Heating efficiency $\Delta T=50$ (75/65/20)		Product code	Price 1 White	Price 2 Standard Colour	Price 3 Special Editions	Price 4 Chrome Rail any colour panel	Summer heating kit output (WRT/WIR only) watts	
			btu	watts						colour	chrome
1500	500	140	1.881	551	CRV2A150050 ... K	£886.51	£975.16	£1,063.82	£1,275.75	500	500
1500	600	140	2.110	618	CRV2A150060 ... K	£903.31	£993.65	£1,083.98	£1,527.15	500	500
1800	500	140	2.277	667	CRV2A180050 ... K	£964.37	£1,060.80	£1,157.24	£1,380.97	800	500
1800	600	140	2.485	728	CRV2A180060 ... K	£983.89	£1,082.28	£1,180.67	£1,636.32	800	500



Technical data single layer

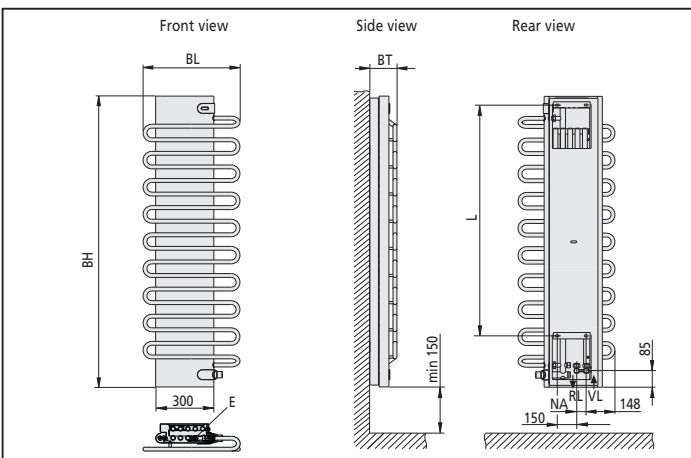
BH mm	BL mm	BT mm	NA mm	L mm	weight kg	water content l
1500	500	140	50	1190	29,30	3,30
1500	600	140	50	1190	35,20	5,30
1800	500	140	50	1490	33,70	4,00
1800	600	140	50	1490	40,40	6,30

Key:
 BH: actual height
 BL: actual length
 BT: depth
 NA: distance between tapping centres
 L: distance from top fixing point to bottom fixing point
 VL/RL: flow or return
 E: air vent

Minimum distance between floor and bottom edge of radiator should be 150 mm.

Double layer prices and heating efficiency

Height mm	Width mm	Depth mm	Heating efficiency $\Delta T=50$ (75/65/20)		Product code	Price 1 White	Price 2 Standard Colour	Price 3 Special Editions	Price 4 Chrome Rail any colour panel	Summer heating kit output (WRT/WIR only) watts	
			btu	watts						colour	chrome
1500	500	140	2.673	783	CRV3A150050 ... K	£967.06	£1,063.76	£1,160.47	£1,356.28	800	800
1500	600	140	2.953	865	CRV3A150060 ... K	£983.89	£1,082.28	£1,180.67	£1,607.70	800	800
1800	500	140	3.250	952	CRV3A180050 ... K	£1,068.07	£1,174.88	£1,281.69	£1,484.72	1100	800
1800	600	140	3.585	1.050	CRV3A180060 ... K	£1,087.61	£1,196.37	£1,305.13	£1,740.02	1100	1100



Technical data double layer

BH mm	BL mm	BT mm	NA mm	L mm	weight kg	water content l
1500	500	140	50	1190	34,00	5,90
1500	600	140	50	1190	40,00	7,10
1800	500	140	50	1490	38,20	6,60
1800	600	140	50	1490	45,30	8,50

Key:
 BH: actual height
 BL: actual length
 BT: depth
 NA: distance between tapping centres
 L: distance from top fixing point to bottom fixing point
 VL/RL: flow or return
 E: air vent

Minimum distance between floor and bottom edge of radiator should be 150 mm.

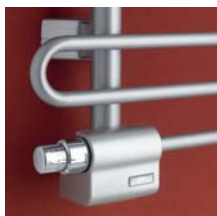
Please note: Heating efficiency will be reduced by approximately 20 % for chrome plated models.

Picture shows left hand model, please quote handing at the point of order

operating pressure 10 bar at maximum
 operating conditions hot water up to 90° C

A dynamic
minimalist design

ICARO®





RAL logo guarantees the highest quality.



Reliable product quality in accordance with EN 442.

Prices and heating efficiency

Height mm	Width mm	Depth mm	Heating efficiency $\Delta T=50$ (75/65/20)		Product code	Price 1 White	Price 2 Standard Colour	Price 3 Special Editions	Price 4 Chrome	Summer heating kit output (WRT/WIR only) watts	
			btu	watts						colour	chrome
1446	400	58	1.451	425	CRV1A140040 . XXK	£623.82	£686.20	£748.58	£1,230.46	500	500
1446	600	58	2.007	588	CRV1A140060 . XXK	£646.01	£710.61	£775.21	£1,294.92	500	500
1866	400	58	1.826	535	CRV1A180040 . XXK	£694.29	£763.72	£833.15	£1,369.18	500	500
1866	600	58	2.526	740	CRV1A180060 . XXK	£723.01	£795.31	£867.61	£1,456.14	800	500

Please note: Heating efficiency will be reduced by approximately 29% for chrome plated models.

operating pressure 10 bar at maximum
operating conditions hot water up to 100° C



Electric options:

- + Summer heating kit available, see page 64 - 65
- + All electric versions available, see page 66



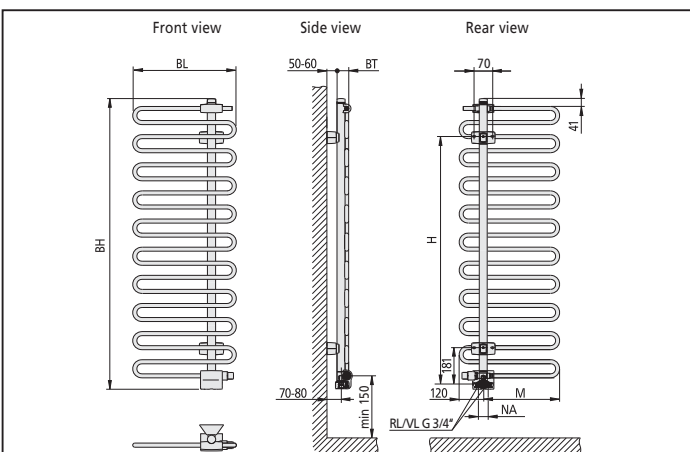
Accessories:

- + see page 54, 60



Special features:

- + Available in chrome
- + Complete with integrated thermostatic control and valve
- + Fully reversible at point of installation
- + Overall heights 1446 and 1866 mm
- + Overall widths 400 and 600 mm



Minimum distance between floor and bottom edge of radiator should be 150 mm.

Technical data								
BH mm	BL mm	BT mm	NA mm	H mm	L mm	M mm	weight kg	water content l
1446	400	58	50	1390	1050	280	9,90	3,20
1446	600	58	50	1390	1050	480	12,70	4,80
1866	400	58	50	1810	1470	280	12,03	4,13
1866	600	58	50	1810	1470	480	15,63	6,13

- Key:**
- BH: actual height
 - BL: actual length
 - BT: depth
 - NA: distance between tapping centres
 - H: distance from top fixing point to bottom edge of connection thread
 - L: distance between fixing points
 - M: distance from centre of tapping to edge of radiator
 - VL/RL: flow or return
 - E: air vent

Exceptional design at
an affordable price

CREDO-UNO®-II



Picture shows optional valve version



RAL logo guarantees the highest quality.



Reliable product quality in accordance with EN 442.

Standard version prices and heating efficiency

Height mm	Width mm	Depth mm	Heating efficiency ΔT=50 (75/65/20)		Product code	Price 1 White	Price 2 Standard Colour	Price 3 Special Editions	Price 4 Chrome	Summer heating kit output (WRT/WIR only) watts	
			btu	watts						colour	chrome
789	490	35	1.178	345	UNN10080045 . X . K	£159,31	£175,24	£191,17	£420,21	500	*
789	640	35	1.482	434	UNN10080060 . X . K	£173,70	£191,07	£208,44	£453,97	500	*
789	790	35	1.772	519	UNN10080075 . X . K	£185,78	£204,36	£222,93	£533,88	500	500
1169	490	35	1.768	518	UNN10120045 . X . K	£192,07	£211,28	£230,48	£474,85	500	500
1169	640	35	2.219	650	UNN10120060 . X . K	£206,46	£227,11	£247,75	£519,21	500	500
1169	790	35	2.656	778	UNN10120075 . X . K	£218,54	£240,39	£262,25	£607,76	800	500
1473	490	35	2.263	663	UNN10150045 . X . K	£217,23	£238,95	£260,68	£539,41	800	500
1473	640	35	2.840	832	UNN10150060 . X . K	£231,62	£254,78	£277,95	£590,75	800	500
1473	790	35	3.397	995	UNN10150075 . X . K	£243,70	£268,07	£292,44	£718,19	1100	800
1777	490	35	2.779	814	UNN10180045 . X . K	£242,34	£266,58	£290,81	£601,04	800	500
1777	640	35	3.489	1.022	UNN10180060 . X . K	£256,74	£282,41	£308,08	£659,40	1100	800
1777	790	35	4.175	1.223	UNN10180075 . X . K	£268,82	£295,71	£322,59	£825,68	1100	1100

Please note: Heating efficiency will be reduced by approximately 34 % for chrome plated models.

Valve version available with an additional surcharge of £190.56 incl VAT. Please request technical data sheet from our sales office.

operating pressure 10 bar at maximum
operating conditions hot water up to 110° C

* by special request



Electric options:

- + Summer heating kit available, see page 64 - 65
- + All electric versions available, see page 66



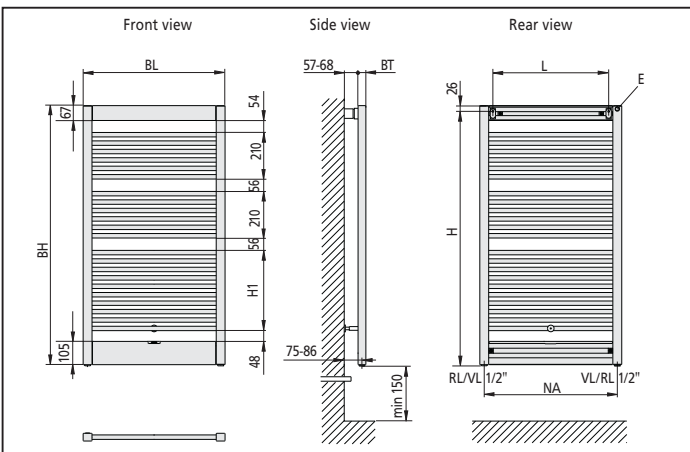
Accessories:

- + see page 54, 56, 60



Special features:

- + Harmoniously coordinated top and bottom panels
- + Exudes design excellence
- + Concealed fittings
- + Overall heights 789 - 1777 mm
- + Overall widths 490 - 790 mm



Minimum distance between floor and bottom edge of radiator should be 150 mm.

Technical data									
BH mm	BL mm	BT mm	NA mm	H mm	L mm	H1 mm	weight kg	water content l	
789	490	35	450	768	372	248	8,08	3,65	
789	640	35	600	768	522	248	9,94	4,31	
789	790	35	750	768	672	248	11,80	4,96	
1169	490	35	450	1148	372	362	11,45	5,49	
1169	640	35	600	1148	522	362	14,01	6,50	
1169	790	35	750	1148	672	362	16,58	7,50	
1473	490	35	450	1452	372	400	14,10	6,95	
1473	640	35	600	1452	522	400	17,21	8,22	
1473	790	35	750	1452	672	400	20,32	9,49	
1777	490	35	450	1756	372	438	16,75	8,40	
1777	640	35	600	1756	522	438	20,41	9,94	
1777	790	35	750	1756	672	438	24,06	11,49	

Key:

- BH: actual height
- BL: actual length
- BT: depth
- NA: distance between tapping centres
- H: distance from top fixing point to bottom edge of connection thread
- L: distance between top fixing points
- H1: height of bottom pipe section
- VL/RL: flow or return
- E: air vent

Timeless
linear design

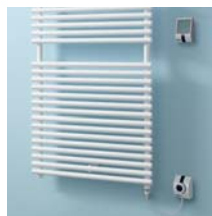
BAGNOTHERM STRAIGHT VERSION

arbonia

MADE BY ARBONIA



Picture shows optional
double layer version



Picture shows optional
WIR all electric version



RAL logo guarantees the highest quality.



Reliable product quality in accordance with EN 442.

Straight version prices and heating efficiency											
Height mm	Width mm	Depth mm	Heating efficiency $\Delta T=50$ (75/65/20)		Product code	Price 1 White	Price 2 Standard Colour	Price 3 Special Editions	Price 4 Chrome	Summer heating kit output (WRT/WIR only) watts	
			btu	watts						colour	chrome
750	450	50	1.171	343	BTS10075045...A	£407.18	£447.90	£488.62	£702.13	500	500
750	600	50	1.608	471	BTS10075060...A	£430.67	£473.74	£516.81	£792.17	500	500
1150	450	50	1.786	523	BTS10120045...A	£452.86	£498.15	£543.43	£870.48	500	500
1150	600	50	2.451	718	BTS10120060...A	£486.79	£535.47	£584.15	£1,000.99	800	800
1500	450	50	2.287	670	BTS10150045...A	£499.84	£549.82	£599.81	£1,067.55	800	800
1500	600	50	3.141	920	BTS10150060...A	£546.83	£601.51	£656.19	£1,211.11	800	800
1800	450	50	2.864	839	BTS10180045...A	£591.20	£650.32	£709.44	£1,216.33	800	800
1800	600	50	3.755	1.100	BTS10180060...A	£609.47	£670.42	£731.36	£1,395.12	1100	1100

Please note: Heating efficiency will be reduced by approximately 32 % for chrome plated models.

Valve version available with an additional surcharge of £190.56 incl VAT (see picture below).

operating pressure 10 bar at maximum
operating conditions hot water up to 120° C



Picture shows optional valve version



Electric options:

- + Summer heating kit available, see page 64 - 65
- + All electric versions available, see page 66



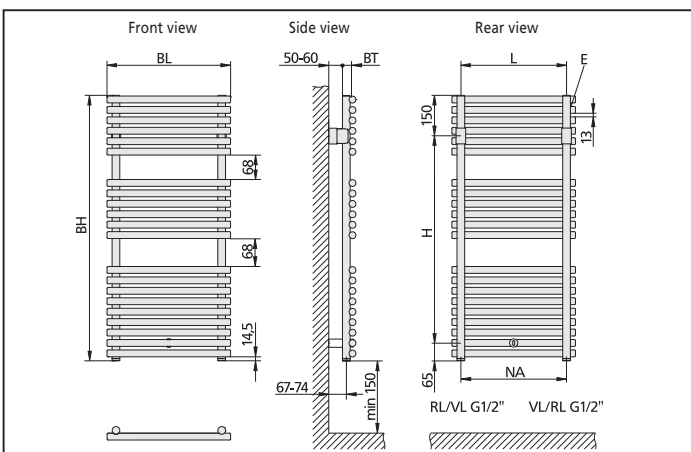
Accessories:

- + see page 54, 59, 60



Special features:

- + Double layer version also available
- + Full range of accessories
- + Overall heights 750 - 1800 mm
- + Overall widths 450 and 600 mm



Minimum distance between floor and bottom edge of radiator should be 150 mm.

Technical data							
BH mm	BL mm	BT mm	NA mm	L mm	H mm	weight kg	water content l
726	450	50	385	385	511	7,50	3,50
726	600	50	535	535	511	9,50	4,50
1144	450	50	385	385	929	11,50	5,40
1144	600	50	535	535	929	14,60	7,00
1486	450	50	385	385	1271	15,50	7,10
1486	600	50	535	535	1271	19,60	9,10
1790	450	50	385	385	1575	18,40	8,00
1790	600	50	535	535	1575	23,20	10,50

Key:
BH: actual height
BL: actual length
BT: depth
NA: distance between tapping centres
H: distance from top fixing point to bottom fixing point
L: distance between fixing points
VL/RL: flow or return
E: air vent

Timeless
linear design

BAGNOTHERM CURVED VERSION

arbonia

MADE BY ARBONIA





RAL logo guarantees the highest quality.



Reliable product quality in accordance with EN 442.

Curved version prices and heating efficiency

Height mm	Width mm	Depth mm	Heating efficiency $\Delta T=50$ (75/65/20)		Product code	Price 1 White	Price 2 Standard Colour	Price 3 Special Editions	Price 4 Chrome	Summer heating kit output (WRT/WIR only) watts	
			btu	watts						colour	chrome
750	500	73	1.314	385	BTC10075045...A	£518.11	£569.92	£621.73	£913.56	500	500
750	600	74	1.608	471	BTC10075060...A	£535.08	£588.58	£642.09	£965.76	500	500
1150	500	73	2.007	588	BTC10120045...A	£585.98	£644.58	£703.18	£1,101.49	500	500
1150	600	74	2.451	718	BTC10120060...A	£612.08	£673.29	£734.49	£1,220.24	800	800
1500	500	73	2.567	752	BTC10150045...A	£647.32	£712.05	£776.78	£1,333.79	800	800
1500	600	74	3.141	920	BTC10150060...A	£681.24	£749.37	£817.49	£1,476.04	800	800
1800	500	73	3.161	926	BTC10180045...A	£706.04	£776.65	£847.25	£1,559.56	800	800
1800	600	74	3.755	1.100	BTC10180060...A	£746.51	£821.16	£895.81	£1,699.21	1100	1100

Please note: Heating efficiency will be reduced by approximately 32 % for chrome plated models.

Valve version available with an additional surcharge of £190.56 incl VAT (see picture below).

operating pressure 10 bar at maximum
operating conditions hot water up to 120° C



Picture shows optional valve version



Electric options:

- + Summer heating kit available, see page 64 - 65
- + All electric versions available, see page 66



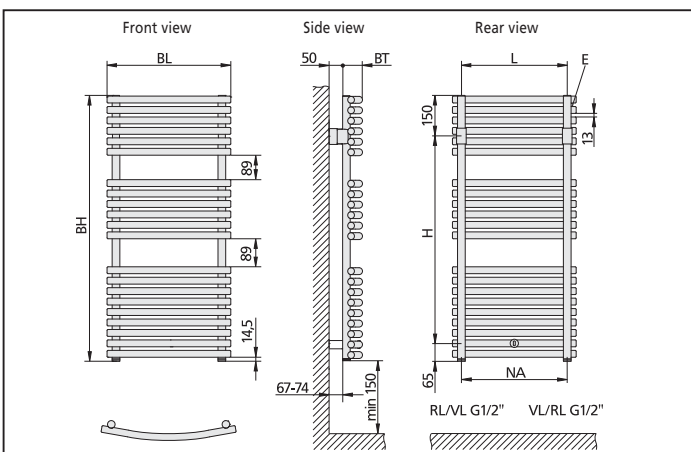
Accessories:

- + see page 54, 59, 60



Special features:

- + Double layer version also available
- + Full range of accessories
- + Overall heights 750 - 1800 mm
- + Overall widths 500 and 600 mm



Minimum distance between floor and bottom edge of radiator should be 150 mm.

Technical data							
BH mm	BL mm	BT mm	NA mm	H mm	L mm	weight kg	water content l
726	500	73	424	511	424	8,20	3,80
726	600	74	525	511	525	9,50	4,50
1144	500	73	424	929	424	12,50	5,90
1144	600	74	525	929	525	14,60	7,00
1486	500	73	424	1271	424	16,90	7,80
1486	600	74	525	1271	525	19,60	9,10
1790	500	73	424	1575	424	20,00	8,80
1790	600	74	525	1575	525	23,20	10,50

Key:
 BH: actual height
 BL: actual length
 BT: depth
 NA: distance between tapping centres
 H: distance from top fixing point to bottom fixing point
 L: distance between fixing points
 VL/RL: flow or return
 E: air vent





Reliable product quality
in accordance with EN 442.

Prices and heating efficiency

Height mm	Width mm	Depth mm	Heating efficiency $\Delta T=50$ (75/65/20)		Product code	Price Chrome	Summer heating kit output watts
			btu	watts			
800	500	50	1742	511	JQ010080050ZXXE	£482.14	150
1200	500	50	2509	736	JQ010120050ZXXE	£619.97	300
1600	500	50	3311	971	JQ010160050ZXXE	£751.93	600

Please note: Heating efficiency will be reduced by approximately 23 % for chrome plated models.

operating pressure 10 bar at maximum
operating conditions hot water up to 120° C



Electric options:

+ Contact sales office



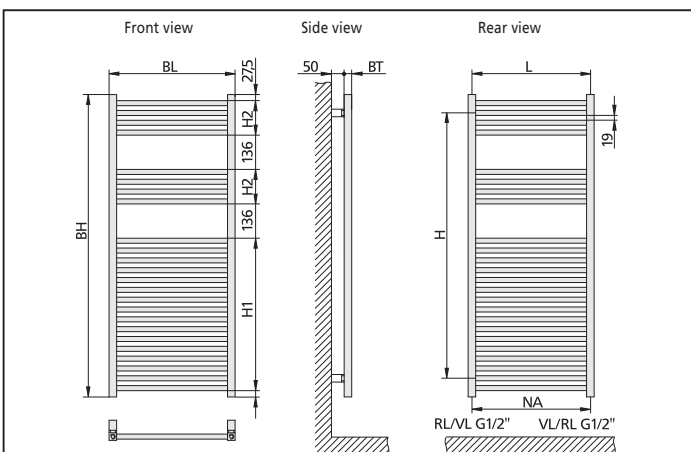
Accessories:

+ see page 60



Special features:

+ Available in chrome only



Minimum distance between floor and bottom edge of radiator should be 150 mm.

Technical data											
BH mm	BL mm	BT mm	Fixing mm	NA mm	H mm	L mm	H1 mm	H2 mm	weight kg	water content l	
800	500	30	50	470	74/737	470	488	137	8,90	3,30	
1200	500	30	50	470	74/1127	470	605	137	12,70	4,80	
1600	500	30	50	470	84/1517	470	722	137	16,50	6,30	

Key:

BH: actual height
BL: actual length
BT: depth

NA: distance between tapping centres
H: distance between top and bottom fixing points
L: distance between fixing points

H1: height of bottom pipe section
H2: height of pipe section
VL/RL: flow or return
E: air vent

Vertical D shaped
profiles and straight
horizontal tubes

BASIC[®] STRAIGHT VERSION





RAL logo guarantees the highest quality.



Reliable product quality in accordance with EN 442.

Straight version prices and heating efficiency													
Height mm	Width mm	Depth mm	Heating efficiency $\Delta T=50$ (75/65/20)		Product code	Price 1 White	Price 2 Standard Colour	Price 3 Special Editions	Price 4 Chrome	Summer heating kit electro set WRT/ WIR output watts		Summer heating kit electric element only output watts	
			btu	watts						colour	chrome	colour	chrome
804	450	35	1222	358	E0010080045.XXE	£128.00	£140.80	£153.60	£273.79	500	*	400	*
804	599	35	1570	460	E0010080060.XXE	£144.53	£158.98	£173.44	£290.45	500	500	400	300
804	749	35	1905	558	E0010080075.XXE	£145.43	£159.97	£174.52	n/a	500	n/a	600	n/a
804	899	35	2233	654	E0010080090.XXE	£148.28	£163.11	£177.94	n/a	800	n/a	600	n/a
1172	450	35	1765	517	E0010120045.XXE	£161.02	£177.12	£193.22	£322.47	500	500	600	400
1172	599	35	2287	670	E0010120060.XXE	£177.54	£195.29	£213.04	£349.37	800	500	600	400
1172	749	35	2800	820	E0010120075.XXE	£179.68	£197.64	£215.61	n/a	800	n/a	800	n/a
1172	899	35	3301	967	E0010120090.XXE	£187.79	£206.57	£225.35	n/a	1100	n/a	800	n/a
1770	450	35	2694	789	E0010180045.XXE	£206.46	£227.11	£247.75	£438.64	800	500	800	600
1770	599	35	3489	1022	E0010180060.XXE	£247.71	£272.48	£297.25	£479.28	1100	800	1.200	600
1770	749	35	4264	1249	E0010180075.XXE	£248.98	£273.88	£298.78	n/a	1100	n/a	1.200	n/a
1770	899	35	5025	1472	E0010180090.XXE	£249.85	£274.83	£299.82	n/a	1500	n/a	1.200	n/a

Please note: Heating efficiency will be reduced by approximately 33 % for chrome plated models.

operating pressure 10 bar at maximum
operating conditions hot water up to 110° C

* by special request



Electric options:

- ⊕ Summer heating kit available, see page 64 - 65
- ⊕ All electric versions available, see page 96



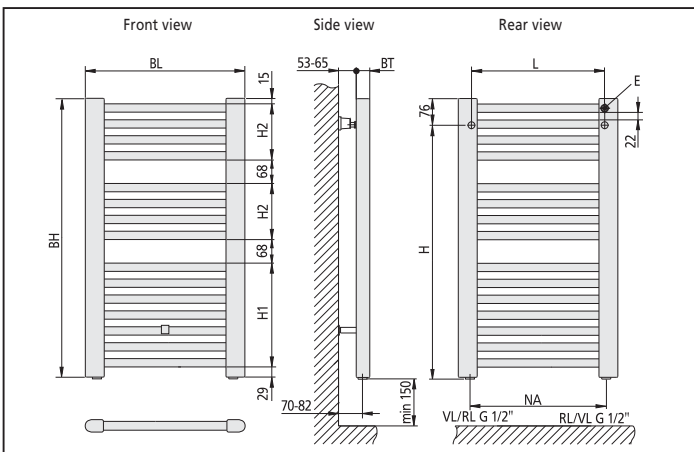
Accessories:

- ⊕ see page 54, 56, 57, 60



Special features:

- ⊕ Concealed fittings and bleed valve
- ⊕ Available as a room divider
- ⊕ Overall heights 804 - 1770 mm
- ⊕ Overall widths 450 - 899 mm



Minimum distance between floor and bottom edge of radiator should be 150 mm.

Technical data									
BH mm	BL mm	BT mm	NA mm	H mm	L mm	H1 mm	H2 mm	weight kg	water content l
804	450	35	386	733	395	300	162	6,80	4,30
804	599	35	535	733	544	300	162	8,10	5,20
804	749	35	685	733	694	300	162	9,40	6,10
804	899	35	835	733	844	300	162	10,80	6,90
1172	450	35	386	1101	395	300	208	9,80	6,20
1172	599	35	535	1101	544	300	208	11,70	7,50
1172	749	35	685	1101	694	300	208	13,60	8,80
1172	899	35	835	1101	844	300	208	15,60	10,00
1770	450	35	386	1699	395	438	254	14,50	9,60
1770	599	35	535	1699	544	438	254	17,50	11,50
1770	749	35	685	1699	694	438	254	20,50	13,40
1770	899	35	835	1699	844	438	254	23,50	15,40

- Key:
- BH: actual height
 - BL: actual length
 - BT: depth
 - NA: distance between tapping centres
 - H: distance from top fixing point to bottom connection thread
 - L: distance between top fixing points
 - H1: height of bottom pipe section
 - H2: height of pipe section
 - VL/RL: flow or return
 - E: air vent

Vertical D shaped
profiles and curved
horizontal tubes

BASIC[®] CURVED VERSION





RAL logo guarantees the highest quality.



Reliable product quality in accordance with EN 442.

Curved version prices and heating efficiency

Height mm	Width mm	Depth mm	Heating efficiency $\Delta T=50$ (75/65/20)		Product code	Price 1 White	Price 2 Standard Colour	Price 3 Special Editions	Price 4 Chrome	Summer heating kit electro set WRT/ WIR output watts		Summer heating kit electric element only output watts	
			btu	watts						colour	chrome	colour	chrome
804	450	51	1222	358	ER010080045 . XXE	£153.60	£168.96	£184.32	£328.56	500	*	400	*
804	599	60	1570	460	ER010080060 . XXE	£173.43	£190.78	£208.12	£348.54	500	500	400	300
804	749	70	1905	558	ER010080075 . XXE	£174.52	£191.97	£209.42	n/a	500	n/a	600	n/a
804	899	73	2233	654	ER010080090 . XXE	£177.93	£195.73	£213.52	n/a	800	n/a	600	n/a
1172	450	51	1765	517	ER010120045 . XXE	£193.21	£212.54	£231.86	£386.96	500	500	600	400
1172	599	60	2287	670	ER010120060 . XXE	£213.06	£234.36	£255.67	£419.25	800	500	600	400
1172	749	70	2799	820	ER010120075 . XXE	£215.62	£237.18	£258.74	n/a	800	n/a	800	n/a
1172	899	73	3301	967	ER010120090 . XXE	£225.34	£247.88	£270.41	n/a	1100	n/a	800	n/a
1770	450	51	2694	789	ER010180045 . XXE	£247.74	£272.52	£297.29	£526.38	800	500	800	600
1770	599	60	3489	1022	ER010180060 . XXE	£297.26	£326.98	£356.71	£575.14	1100	800	1200	600
1770	749	70	4264	1249	ER010180075 . XXE	£298.78	£328.66	£358.53	n/a	1100	n/a	1200	n/a
1770	899	73	5025	1472	ER010180090 . XXE	£299.82	£329.80	£359.78	n/a	1500	n/a	1200	n/a

Please note: Heating efficiency will be reduced by approximately 33 % for chrome plated models.

operating pressure 10 bar at maximum
operating conditions hot water up to 110° C

* by special request



Electric options:

- ⊕ Summer heating kit available, see page 64 - 65
- ⊕ All electric versions available, see page 66



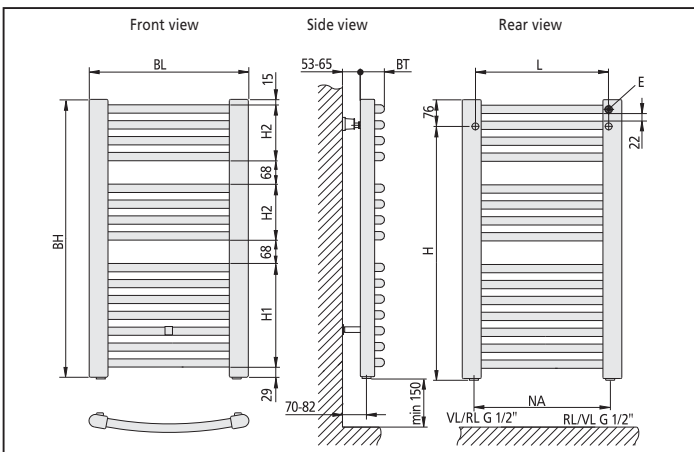
Accessories:

- ⊕ see page 54, 56, 60



Special features:

- ⊕ Concealed fittings and bleed valve
- ⊕ Overall heights 804 - 1770 mm
- ⊕ Overall widths 450 - 899 mm



Minimum distance between floor and bottom edge of radiator should be 150 mm.

Technical data									
BH mm	BL mm	BT mm	NA mm	H mm	L mm	H1 mm	H2 mm	weight kg	water content l
804	450	51	386	733	389	300	162	6,80	4,40
804	599	60	535	733	538	300	162	8,10	5,20
804	749	70	685	733	688	300	162	9,50	6,10
804	899	73	835	733	838	300	162	10,80	7,00
1172	450	51	386	1101	389	300	208	9,80	6,30
1172	599	60	535	1101	538	300	208	11,80	7,50
1172	749	70	685	1101	688	300	208	13,70	8,80
1172	899	73	835	1101	838	300	208	15,70	10,10
1770	450	51	386	1699	389	438	254	14,60	9,60
1770	599	60	535	1699	538	438	254	17,60	11,60
1770	749	70	685	1699	688	438	254	20,60	13,50
1770	899	73	835	1699	838	438	254	23,60	15,50

- Key:
- BH: actual height
 - BL: actual length
 - BT: depth
 - NA: distance between tapping centres
 - H: distance from top fixing point to bottom connection thread
 - L: distance between top fixing points
 - H1: height of bottom pipe section
 - H2: height of pipe section
 - VL/RL: flow or return
 - E: air vent

Form meets
function

CREDO®-HALF®





RAL logo guarantees the highest quality.



Reliable product quality in accordance with EN 442.

Prices and heating efficiency

Height mm	Width mm	Depth mm	Heating efficiency $\Delta T=50$ (75/65/20)		Product code	Price 1 White	Price 2 Stan- dard Colour	Price 3 Special Edi- tions	Price 4 Radiator Chrome / Panel White	Price 5 Radiator Chrome / Panel Standard Colour	Price 6 Radiator Chrome / Panel Special Editions	Summer heating kit output (WRT/WIR only) watts	
			btu	watts								colour	chrome
1086	460	51	1.475	432	CHV1A100045 ... K	£614.18	£675.60	£737.02	£859.24	£945.16	£1,031.09	500	*
1466	460	51	2.059	603	CHV1A140045 ... K	£703.45	£773.79	£844.14	£984.17	£1,082.59	£1,181.00	500	500
1466	610	51	2.718	796	CHV1A140060 ... K	£728.09	£800.90	£873.71	£1,018.62	£1,120.48	£1,222.34	800	500
1884	460	51	2.714	795	CHV1A180045 ... K	£796.96	£876.65	£956.35	£1,114.95	£1,226.45	£1,337.94	800	500
1884	610	51	3.589	1051	CHV1A180060 ... K	£830.23	£913.25	£996.28	£1,161.52	£1,277.67	£1,393.82	1100	800

Please note: Heating efficiency will be reduced by approximately 35 % for chrome plated models.
Picture shows right hand model, please quote handing at the point of order

* by special request

operating pressure 10 bar at maximum
operating conditions hot water up to 110° C



Electric options:

- + Summer heating kit available, see page 64 - 65
- + All electric versions available, see page 66



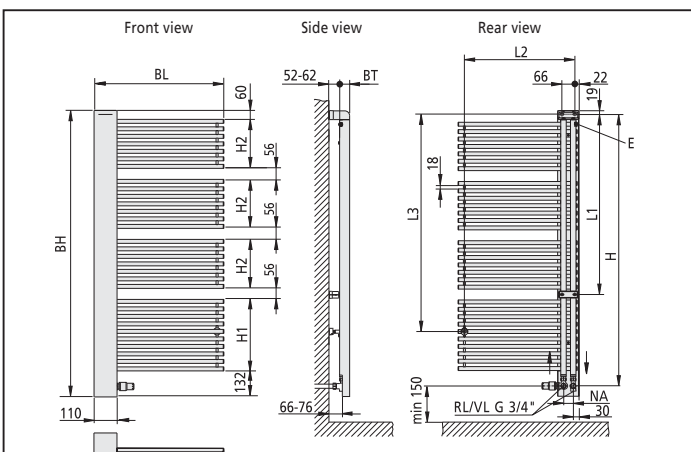
Accessories:

- + see page 54, 56, 60



Special features:

- + Left or right hand panel option with 50 mm connection for flow and return
- + Thermostatic sensor head included
- + Manufactured with integrated connections
- + Overall heights 1086 - 1884 mm
- + Overall widths: 460 and 610 mm



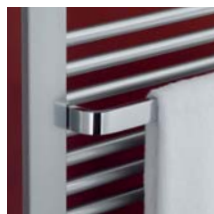
Technical data											
BH mm	BL mm	BT mm	NA mm	H mm	H 1 mm	H 2 mm	L 1 mm	L 2 mm	L 3 mm	weight kg	water content l
1086	460	51	50	1012	286	248	620	405,5	735	12,30	3,10
1466	460	51	50	1392	362	248	924	405,5	1114	17,00	4,40
1466	610	51	50	1392	362	248	924	555,5	1114	20,20	5,40
1884	460	51	50	1810	438	362	1266	405,5	1533	22,50	5,90
1884	610	51	50	1810	438	362	1266	555,5	1533	26,90	7,20

Key:
 BH: actual height
 BL: actual length
 BT: depth
 NA: distance between tapping centres
 H: distance between top fixing point and connection block
 L1, L2, L3: distance between fixing points
 H1: height of bottom pipe section
 H2: height of pipe section
 VL/RL: flow or return
 E: air vent

Minimum distance between floor and bottom edge of radiator should be 150 mm.

The best
heat there is

CREDO®





RAL logo guarantees the highest quality.



Reliable product quality in accordance with EN 442.

Standard version prices and heating efficiency

Height mm	Width mm	Depth mm	Heating efficiency $\Delta T=50$ (75/65/20)		Product code	Price 1 White	Price 2 Standard Colour	Price 3 Special Editions	Summer heating kit output (WRT/WIR only) watts
			btu	watts					
1094	471	35	1.441	422	C2N10100045 . KXX	£334.46	£367.91	£401.35	500
1094	621	35	1.857	544	C2N10100060 . KXX	£341.39	£375.53	£409.67	500
1474	471	35	2.028	594	C2N10140045 . KXX	£370.35	£407.39	£444.42	500
1474	621	35	2.619	767	C2N10140060 . KXX	£380.07	£418.08	£456.08	800
1474	771	35	3.192	935	C2N10140075 . KXX	£389.89	£428.88	£467.87	800
1892	471	35	2.690	788	C2N10180045 . KXX	£410.21	£451.23	£492.25	800
1892	621	35	3.472	1.017	C2N10180060 . KXX	£423.34	£465.67	£508.01	1.100
1892	771	35	4.233	1.240	C2N10180075 . KXX	£436.50	£480.16	£523.81	1.100

Valve version available with an additional surcharge of £190.56 incl VAT.
Please request technical data sheet from our sales office.

operating pressure 8 bar at maximum
operating conditions hot water up to 110° C



Picture shows optional valve version



Electric options:

- + Summer heating kit available, see page 64 - 65
- + All electric versions available, see page 66



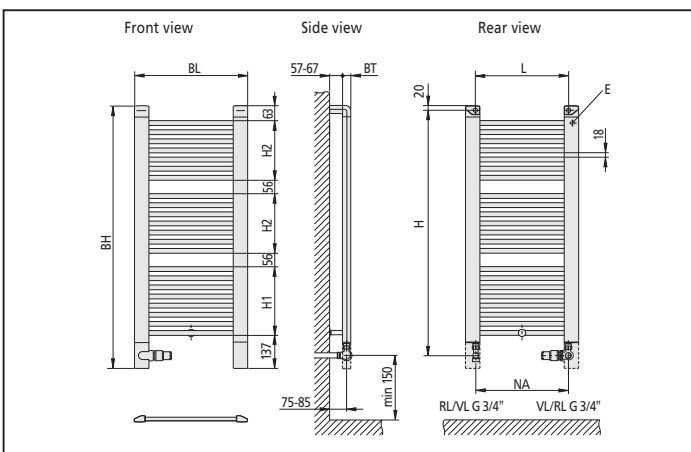
Accessories:

- + see page 54, 56, 60



Special features:

- + Award winning design
- + Available in standard or valve versions
- + Supplied with thermostatic sensor head as standard
- + Valve version only manufactured with integrated connections
- + Modern interpretation of form and function
- + Overall heights 1094 - 1892 mm
- + Overall widths 471 - 771 mm



Minimum distance between floor and bottom edge of radiator should be 150 mm.

Technical data

BH mm	BL mm	BT mm	NA mm	H mm	L mm	H1 mm	H2 mm	weight kg	water content l
1094	471	35	385	1021	400	286	248	7,60	4,60
1094	621	35	535	1021	550	286	248	9,10	5,40
1474	471	35	385	1401	400	362	248	10,60	6,30
1474	621	35	535	1401	550	362	248	12,70	7,50
1474	771	35	685	1401	700	362	248	14,60	8,90
1892	471	35	385	1819	400	438	362	13,90	8,60
1892	621	35	535	1819	550	438	362	16,80	10,70
1892	771	35	685	1819	700	438	362	19,90	12,30

- Key:
- BH: actual height
 - BL: actual length
 - BT: depth
 - NA: distance between tapping centres
 - H: distance between top fixing point and bottom connection
 - L: distance between top fixing points
 - H1: height of bottom pipe section
 - H2: height of pipe section
 - VL/RL: flow or return
 - E: air vent



Picture shows optional valve version



RAL logo guarantees the highest quality.



Reliable product quality in accordance with EN 442.

Standard version prices and heating efficiency

Height mm	Width mm	Depth mm	Heating efficiency $\Delta T=50$ (75/65/20)		Product code	Price 1 White	Price 2 Standard Colour	Price 3 Special Editions	Summer heating kit electro set WRT/WIR output watts	Summer heating kit electric element only output watts
			btu	watts						
878	455	104	1.652	484	CS010090045 . X . K	£474.79	£522.27	£569.75	500	400
878	601	105	2.185	640	CS010090060 . X . K	£489.58	£538.54	£587.50	500	600
878	746	102	2.735	801	CS010090075 . X . K	£507.77	£558.54	£609.32	800	800
1294	455	104	2.438	714	CS010130045 . X . K	£538.43	£592.28	£646.12	800	800
1294	601	105	3.223	944	CS010130060 . X . K	£558.88	£614.77	£670.66	800	800
1294	746	102	4.029	1.180	CS010130075 . X . K	£579.29	£637.22	£695.15	1100	1200
1838	455	104	3.465	1.015	CS010180045 . X . K	£601.48	£661.63	£721.78	1100	1200
1838	601	105	4.578	1.341	CS010180060 . X . K	£629.88	£692.87	£755.86	1500	1200
1838	746	102	5.725	1.677	CS010180075 . X . K	£658.27	£724.10	£789.92	1500	1200

Valve version available with an additional surcharge of £190.56 incl VAT.
Please request technical data sheet from our sales office.

operating pressure 10 bar at maximum
operating conditions hot water up to 110° C



Electric options:

- + Summer heating kit available, see page 64 - 65
- + All electric versions available, see page 66



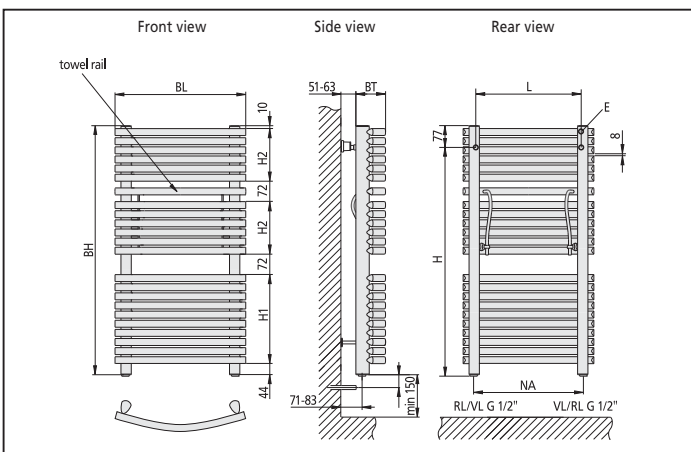
Accessories:

- + see page 56, 57, 60



Special features:

- + Supplied with pull out aluminium towel rail as standard, see accessories for other options.
- + Available in standard or valve versions
- + Overall heights 878 - 1838 mm
- + Overall widths 455 - 746 mm



Minimum distance between floor and bottom edge of radiator should be 150 mm.

Technical data

BH mm	BL mm	BT mm	NA mm	H mm	L mm	H1 mm	H2 mm	weight kg	water content l
878	455	104	385	807	373	312	184	12,55	4,66
878	601	105	535	807	525	312	184	15,25	5,56
878	746	102	685	807	678	312	184	17,92	6,48
1294	455	104	385	1223	373	376	216	18,43	6,94
1294	601	105	535	1223	525	376	216	22,40	8,29
1294	746	102	685	1223	678	376	216	25,67	9,68
1838	455	104	385	1767	373	504	248	26,35	10,02
1838	601	105	535	1767	525	504	248	31,46	11,98
1838	746	102	685	1767	678	504	248	37,90	14,00

- Key:
- BH: actual height
 - BL: actual length
 - BT: depth
 - NA: distance between top fixing centres
 - H: distance from top fixing point to bottom edge of connection thread
 - L: distance between top fixing points
 - H1: height of bottom pipe section
 - H2: height of pipe section
 - VL/RL: flow or return
 - E: air vent

Classical design

KAROTHERM®

arbonia

MADE BY ARBONIA





RAL logo guarantees the highest quality.



Reliable product quality in accordance with EN 442.

Prices and heating efficiency

Height mm	Width mm	Depth mm	Heating efficiency $\Delta T=50$ (75/65/20)		Product code	Price 1 White	Price 2 Standard Colour	Price 3 Special Editions
			btu	watts				
500	500	22	1.000	293	KT010050050...A	£739.97	£813.97	£887.97
567	1100	22	2.362	692	KTH10056110...A	£1,247.65	£1,372.42	£1,497.19
567	1300	22	2.793	818	KTH10056130...A	£1,401.64	£1,541.81	£1,681.97
567	1500	22	3.223	944	KTH10056150...A	£1,556.96	£1,712.65	£1,868.35
700	700	22	1.854	543	KT010070070...A	£1,062.33	£1,168.56	£1,274.80
700	1100	22	2.820	826	KTH10070110...A	£1,449.93	£1,594.92	£1,739.92
700	1300	22	3.332	976	KTH10070130...A	£1,643.09	£1,807.40	£1,971.70
700	1500	22	3.844	1.126	KTH10070150...A	£1,836.23	£2,019.86	£2,203.48
900	900	22	2.953	865	KT010090090...A	£1,500.84	£1,650.92	£1,801.00
1500	300	22	1.550	454	KTV10150030...A	£984.02	£1,082.42	£1,180.83
1500	360	22	1.861	545	KTV10150036...A	£1,126.27	£1,238.90	£1,351.53
1500	430	22	2.223	651	KTV10150043...A	£1,268.54	£1,395.39	£1,522.24
1500	500	22	2.588	758	KTV10150050...A	£1,408.17	£1,548.99	£1,689.80
1767	300	22	1.813	531	KTV10180030...A	£1,061.02	£1,167.12	£1,273.23
1767	360	22	2.175	637	KTV10180036...A	£1,221.55	£1,343.70	£1,465.86
1767	430	22	2.598	761	KTV10180043...A	£1,383.38	£1,521.72	£1,660.06
1767	500	22	3.021	885	KTV10180050...A	£1,542.60	£1,696.86	£1,851.12
1900	430	22	2.779	814	KTV10190043...A	£1,500.84	£1,650.92	£1,801.00
1900	500	22	3.230	946	KTV10190050...A	£1,678.33	£1,846.16	£2,013.99
1900	700	22	4.524	1.325	KTV10190070...A	£2,214.71	£2,436.18	£2,657.65

operating pressure
operating conditions

4 bar at maximum
hot water up to 120°C



Electric options:

- + Summer heating kit and all electric version upon request. Not available for all sizes. Cannot be fitted retrospectively.



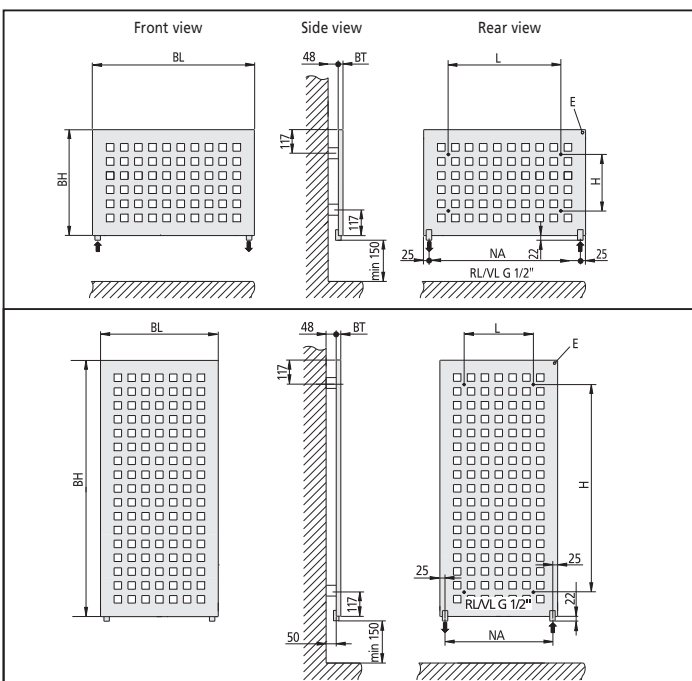
Special features:

- + Available in horizontal and vertical versions
- + Laser welded technology
- + Overall heights 500 - 1900 mm
- + Overall widths 300 - 1500 mm



Accessories:

- + see page 57, 60



Technical data							
BH mm	BL mm	BT mm	NA mm	H mm	L mm	weight kg	water content l
500	500	22	450	266	266	7,40	3,45
567	1100	22	517	333	866	18,37	8,50
567	1300	22	517	333	1066	21,71	10,05
567	1500	22	517	333	1266	25,05	11,59
700	700	22	650	466	466	14,28	6,76
700	1100	22	650	466	866	22,44	10,63
700	1300	22	650	466	1066	26,52	12,56
700	1500	22	650	466	1266	30,60	14,49
900	900	22	850	666	666	23,40	11,18
1500	300	22	250	1266	200	13,02	6,21
1500	360	22	310	1266	126	15,62	7,45
1500	430	22	380	1266	196	18,66	8,90
1500	500	22	450	1266	266	21,70	10,35
1767	300	22	250	1533	200	15,33	7,29
1767	360	22	310	1533	126	18,39	8,74
1767	430	22	380	1533	196	21,97	10,44
1767	500	22	450	1533	266	25,55	12,14
1900	430	22	380	1666	196	23,65	11,28
1900	500	22	450	1666	266	27,50	13,11
1900	700	22	650	1666	466	38,50	18,35

Key:
 BH: actual height
 BL: actual length
 BT: depth
 NA: distance between tapping centres
 H: distance between fixing points
 L: distance between fixing points
 E: air vent

Minimum distance between floor and bottom edge of radiator should be 150 mm.

Clear parallel lines
and rounded edges

HEATING WALL



Accessories:

✦ see page 60



Special features:

- ✦ High heat output
- ✦ Short heating-up time
- ✦ Variable and flexible
- ✦ Overall heights 350 - 1800 mm
- ✦ Overall widths 140 - 2600 mm



RAL logo guarantees the highest quality.



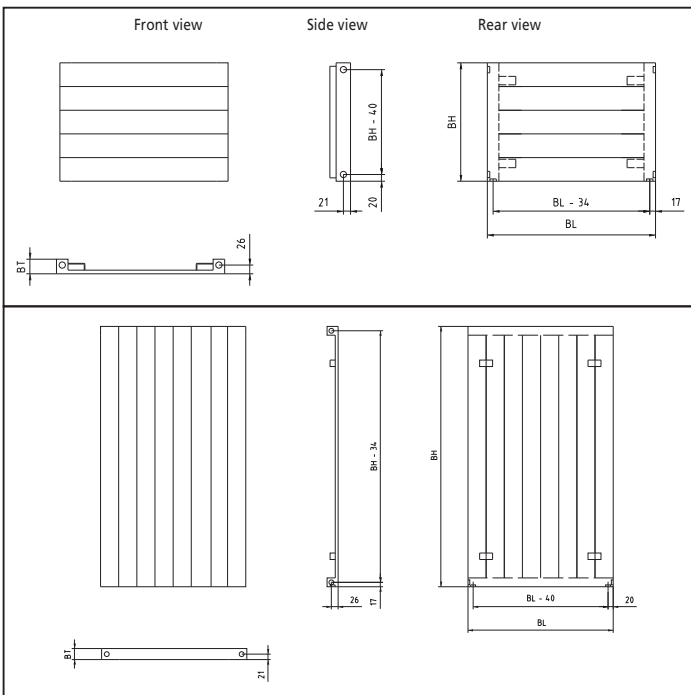
Reliable product quality in accordance with EN 442.

Prices and heating efficiency

Height mm	Width mm	Depth mm	Heating efficiency $\Delta T=50$ (75/65/20)		Product code	Price 1 White		Price 2 Standard Colour		Price 3 Special Editions	
			btu	watts		W/O grille	with grilles	W/O grille	with grilles	W/O grille	with grilles
350	500	61	1178	345	HHN11035050...K	£261.32	£269.70	£313.58	£323.64	£339.71	£350.61
350	800	61	1885	552	HHN11035080...K	£305.34	£318.77	£366.41	£382.53	£396.94	£414.40
350	1000	61	2356	690	HHN11035100...K	£334.67	£351.48	£401.60	£421.77	£435.07	£456.92
350	1200	61	2827	828	HHN11035120...K	£364.00	£384.18	£436.80	£461.01	£473.20	£499.43
350	1500	61	3533	1035	HHN11035150...K	£408.02	£433.25	£489.63	£519.90	£530.43	£563.23
350	2000	61	4711	1380	HHN11035200...K	£481.38	£514.99	£577.65	£617.98	£625.79	£669.48
350	2600	61	6125	1794	HHN11035260...K	£569.42	£613.09	£683.30	£735.51	£740.24	£797.02
490	600	61	1854	543	HHN11049060...K	£324.99	£344.87	£389.99	£413.84	£422.49	£448.33
490	800	61	2472	724	HHN11049080...K	£360.94	£387.50	£433.12	£465.00	£469.22	£503.76
490	1000	61	3090	905	HHN11049100...K	£396.92	£430.10	£476.31	£516.12	£516.00	£559.13
490	1200	61	3708	1086	HHN11049120...K	£432.91	£472.69	£519.49	£567.23	£562.78	£614.50
490	1500	61	4636	1358	HHN11049150...K	£486.86	£536.59	£584.24	£643.90	£632.92	£697.56
490	2000	61	6179	1810	HHN11049200...K	£576.81	£643.12	£692.17	£771.74	£749.85	£836.05
490	2600	61	8033	2353	HHN11049260...K	£684.72	£770.90	£821.66	£925.08	£890.14	£1,002.18
630	800	61	3018	884	HHN11063080...K	£416.15	£455.98	£499.37	£547.17	£540.99	£592.77
630	1000	61	3772	1105	HHN11063100...K	£458.74	£508.55	£550.49	£610.26	£596.36	£661.12
630	1200	61	4527	1326	HHN11063120...K	£501.34	£561.12	£601.60	£673.35	£651.74	£729.46
630	1500	61	5660	1658	HHN11063150...K	£565.23	£639.96	£678.27	£767.96	£734.80	£831.95
630	2000	61	7545	2210	HHN11063200...K	£671.76	£771.38	£806.11	£925.66	£873.29	£1,002.79
630	2600	61	9808	2873	HHN11063260...K	£799.59	£929.06	£959.51	£1,114.87	£1,039.47	£1,207.78
1200	140	61	847	248	HVN11120014...K	£241.62	n/a	£289.94	n/a	£314.10	n/a
1200	280	61	1693	496	HVN11120028...K	£334.41	n/a	£401.29	n/a	£434.73	n/a
1200	420	61	2537	743	HVN11120042...K	£427.25	n/a	£512.70	n/a	£555.42	n/a
1800	210	61	1782	522	HVN11180021...K	£369.75	n/a	£443.70	n/a	£480.67	n/a
1800	420	61	3564	1044	HVN11180042...K	£562.08	n/a	£674.49	n/a	£730.70	n/a

Price excludes brackets, for standard wall fixing model you should order the required number of brackets: ZB00050001 £5.41 each.
Other fixings are available such as floor mounting brackets, please contact the sales office for details.

operating pressure 6 bar at maximum
operating conditions hot water up to 110° C



Technical data					
BH mm	BL mm	BT mm	weight kg	water content l	number of brackets
350	500	61	8,7	1,6	4
350	800	61	13,8	2,6	4
350	1000	61	17,3	3,2	4
350	1200	61	20,8	3,8	4
350	1500	61	26,0	4,8	4
350	2000	61	34,6	6,4	4
350	2600	61	45,0	8,3	6
490	600	61	14,3	2,8	4
490	800	61	19,0	3,7	4
490	1000	61	23,8	4,6	4
490	1200	61	28,6	5,5	4
490	1500	61	35,7	6,9	4
490	2000	61	47,6	9,2	4
490	2600	61	61,9	12,0	6
630	800	61	23,0	4,8	4
630	1000	61	28,7	6,0	4
630	1200	61	34,4	7,2	4
630	1500	61	43,1	9,0	4
630	2000	61	57,4	12,0	4
630	2600	61	74,6	15,6	6
1200	140	61	7,7	1,5	4
1200	280	61	15,5	3,0	4
1200	420	61	23,2	4,6	4
1800	210	61	17,1	3,2	4
1800	420	61	34,1	6,4	4

Minimum distance between floor and bottom edge of radiator should be 150 mm.

Key: BL: actual length
BH: actual height BT: depth

The classic solution

COLUMN RADIATOR - WALL HUNG

arbonia

MADE BY ARBONIA



Electric options:

- ⊕ Summer heating kit available upon request, see page 64 - 65 (not available for all sizes).



Accessories:

- ⊕ see page 54, 58, 60



Special features:

- ⊕ Wide range of models
- ⊕ First class heat distribution
- ⊕ Overall heights 600 - 1800 mm
- ⊕ Overall widths 360 - 630 mm



RAL logo guarantees the highest quality.



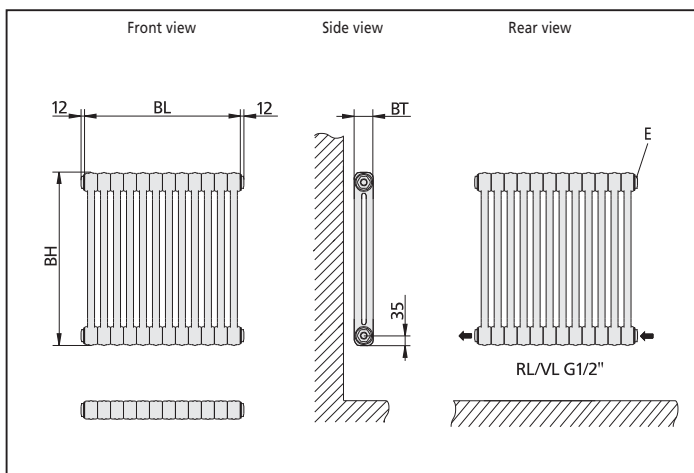
Reliable product quality in accordance with EN 442.

Prices and heating efficiency									
Number of elements	Height mm	Width mm	Depth mm	Heating efficiency $\Delta T=50$ (75/65/20)		Product code	Price 1 White	Price 2 Standard Colour	Price 3 Special Editions
				btu	watts				
8	600	360	2 Column/65 mm	1.250	366	206008W...A	£285.64	£314.20	£342.77
10	600	450	2 Column/65 mm	1.563	458	206010W...A	£346.21	£380.83	£415.46
12	600	540	2 Column/65 mm	1.878	550	206012W...A	£406.79	£447.46	£488.14
14	600	630	2 Column/65 mm	2.188	641	206014W...A	£467.36	£514.09	£560.83
8	750	360	2 Column/65 mm	1.543	452	207508W...A	£295.41	£324.95	£354.49
10	750	450	2 Column/65 mm	1.929	565	207510W...A	£358.42	£394.27	£430.11
12	750	540	2 Column/65 mm	2.315	678	207512W...A	£421.44	£463.58	£505.73
14	750	630	2 Column/65 mm	2.700	791	207514W...A	£484.45	£532.90	£581.34
8	1200	360	2 Column/65 mm	2.403	704	212008W...A	£355.35	£390.88	£426.42
10	1200	450	2 Column/65 mm	3.004	880	212010W...A	£433.34	£476.68	£520.01
12	1200	540	2 Column/65 mm	3.605	1.056	212012W...A	£511.34	£562.48	£613.61
14	1200	630	2 Column/65 mm	4.206	1.232	212014W...A	£589.34	£648.28	£707.21
8	1500	360	2 Column/65 mm	2.977	872	215008W...A	£442.45	£486.70	£530.94
10	1500	450	2 Column/65 mm	3.721	1.090	215010W...A	£542.23	£596.45	£650.67
12	1500	540	2 Column/65 mm	4.466	1.308	215012W...A	£642.00	£706.20	£770.40
14	1500	630	2 Column/65 mm	5.210	1.526	215014W...A	£741.78	£815.96	£890.14
8	1800	360	2 Column/65 mm	3.551	1.040	218008W...A	£514.60	£566.06	£617.52
10	1800	450	2 Column/65 mm	4.438	1.300	218010W...A	£632.41	£695.65	£758.90
12	1800	540	2 Column/65 mm	5.326	1.560	218012W...A	£750.23	£825.25	£900.27
14	1800	630	2 Column/65 mm	6.213	1.820	218014W...A	£868.04	£954.84	£1,041.65

Please note: Intermediate and additional sizes available upon request. Made to measure widths and heights available along with curved and angled models. All column radiators are supplied with standard tapings BBOE (bottom bottom opposite ends). Other tapping configurations available on request, surcharge may be applicable. Width measurements do not include installed tapings, overall width of radiator will increase by 24 mm.

Standard fittings included in price, other fitting available as optional extras.

operating pressure 10 bar at maximum
operating conditions hot water up to 120° C



Minimum distance between floor and bottom edge of radiator should be 150 mm. Please allow $\pm 1.5\%$ for tolerance (height, length, depth).

Technical data					
Number of elements	BH mm	BL mm	BT mm	weight kg	water content l
8	600	360	65	7,18	4,88
10	600	450	65	9,10	6,10
12	600	540	65	10,92	7,32
14	600	630	65	12,74	8,54
8	750	360	65	8,96	5,84
10	750	450	65	11,20	7,30
12	750	540	65	13,44	8,76
14	750	630	65	15,68	10,22
8	1200	360	65	14,08	8,64
10	1200	450	65	17,60	10,80
12	1200	540	65	21,12	12,96
14	1200	630	65	24,64	15,12
8	1500	360	65	17,52	10,56
10	1500	450	65	21,90	13,20
12	1500	540	65	26,28	12,96
14	1500	630	65	30,66	18,48
8	1800	360	65	20,88	12,48
10	1800	450	65	26,10	15,60
12	1800	540	65	31,32	18,72
14	1800	630	65	36,54	21,84

Key: BH: actual height BL: actual length BT: depth E: air vent VL/RL: flow or return

The classic solution

COLUMN RADIATOR - FLOOR MOUNTED

arbonia

MADE BY ARBONIA



Electric options:

- ⊕ Summer heating kit available upon request, see page 64 - 65 (not available for all sizes).



Accessories:

- ⊕ see page 54, 58, 60



Special features:

- ⊕ Wide range of models
- ⊕ First class heat distribution
- ⊕ Overall heights 375 - 825 mm
- ⊕ Overall widths 270 - 1350 mm





RAL logo guarantees the highest quality.



Reliable product quality in accordance with EN 442.

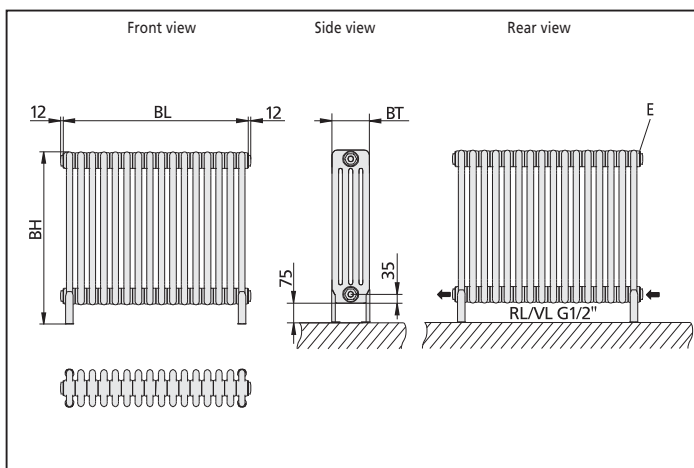
Prices and heating efficiency

Number of elements	Height * mm	Width mm	Depth mm	Heating efficiency $\Delta T=50$ (75/65/20)		Product code	Price 1 White	Price 2 Standard Colour	Price 3 Special Editions
				btu	watts				
10	375	450	4 Column/145 mm	1.468	430	403010F...A	£422.71	£464.98	£507.25
16	375	720	4 Column/145 mm	2.349	688	403016F...A	£614.88	£676.37	£737.86
20	375	900	4 Column/145 mm	2.936	860	403020F...A	£743.00	£817.30	£891.60
24	375	1080	4 Column/145 mm	3.523	1.032	403024F...A	£871.12	£958.23	£1,045.34
15	475	720	4 Column/145 mm	2.868	840	404015F...A	£609.57	£670.52	£731.48
20	475	900	4 Column/145 mm	3.823	1.120	404020F...A	£778.62	£856.48	£934.34
24	475	1080	4 Column/145 mm	4.588	1.344	404024F...A	£913.86	£1,005.24	£1,096.63
30	475	1350	4 Column/145 mm	5.735	1.680	404030F...A	£1,167.94	£1,284.73	£1,401.53
12	575	540	4 Column/145 mm	2.827	828	405012F...A	£537.90	£591.69	£645.48
14	575	630	4 Column/145 mm	3.298	966	405014F...A	£610.48	£671.53	£732.58
16	575	720	4 Column/145 mm	3.769	1.104	405016F...A	£683.06	£751.37	£819.68
20	575	900	4 Column/145 mm	4.711	1.380	405020F...A	£828.22	£911.05	£993.87
24	575	1080	4 Column/145 mm	5.653	1.656	405024F...A	£973.39	£1,070.72	£1,168.06
28	575	1260	4 Column/145 mm	6.596	1.932	405028F...A	£1,169.77	£1,286.75	£1,403.72
10	675	450	4 Column/145 mm	2.765	810	406010F...A	£502.97	£553.27	£603.57
14	675	630	4 Column/145 mm	3.871	1.134	406014F...A	£659.58	£725.54	£791.50
18	675	810	4 Column/145 mm	4.977	1.458	406018F...A	£816.19	£897.81	£979.43
22	675	990	4 Column/145 mm	6.083	1.782	406022F...A	£972.80	£1,070.08	£1,167.36
26	675	1170	4 Column/145 mm	7.190	2.106	406026F...A	£1,185.15	£1,303.66	£1,422.18
6	825	270	4 Column/145 mm	2.048	600	407506F...A	£378.19	£416.01	£453.83
8	825	360	4 Column/145 mm	2.731	800	407508F...A	£467.10	£513.81	£560.52
12	825	540	4 Column/145 mm	4.097	1.200	407512F...A	£644.93	£709.42	£773.92
14	825	630	4 Column/145 mm	4.779	1.400	407514F...A	£733.84	£807.23	£880.61
24	375	1080	6 Column/225 mm	5.080	1.488	603024F...A	£1,176.70	£1,294.37	£1,412.04
24	475	1080	6 Column/225 mm	6.636	1.944	604024F...A	£1,240.81	£1,364.89	£1,488.97
30	475	1350	6 Column/225 mm	8.296	2.430	604030F...A	£1,627.85	£1,790.64	£1,953.43

Please note: Intermediate and additional sizes available upon request. Made to measure widths and heights available along with curved and angled models. All column radiators are supplied with standard tapplings BBOE (bottom bottom opposite ends). Other tapping configurations available on request, surcharge may be applicable. Width measurements do not include installed tapplings, overall width of radiator will increase by 24 mm. *Height includes 75 mm feet.

Standard fittings included in price, other fitting available as optional extras.

operating pressure 10 bar at maximum
operating conditions hot water up to 120° C



Please allow $\pm 1.5\%$ for tolerance (height, length, depth).

Technical data					
Number of elements	BH mm	BL mm	BT mm	weight kg	water content l
10	375	450	145	10,30	6,90
16	375	720	145	16,48	11,04
20	375	900	145	20,60	13,80
24	375	1080	145	24,27	16,56
15	475	720	145	19,65	12,75
20	475	900	145	26,20	17,00
24	475	1080	145	31,44	20,40
30	475	1350	145	39,30	25,50
12	575	540	145	19,20	12,12
14	575	630	145	22,40	14,14
16	575	720	145	25,60	16,16
20	575	900	145	32,00	20,20
24	575	1080	145	38,40	24,24
28	575	1260	145	44,80	28,28
10	675	450	145	18,80	11,70
14	675	630	145	26,32	16,38
18	675	810	145	33,84	21,06
22	675	990	145	41,36	25,74
26	675	1170	145	48,88	30,42
6	825	270	145	13,86	8,46
8	825	360	145	18,48	11,28
12	825	540	145	27,72	16,92
14	825	630	145	32,34	19,74
24	375	1080	225	37,68	24,48
24	475	1080	225	48,00	30,24
30	475	1350	225	60,00	37,80

Key:
BH: actual height
BL: actual length
BT: depth
VL/RL: flow or return
E: air vent

Harmonious design

CREA[®]THERM SINGLE LAYER

arbonia

MADE BY ARBONIA





RAL logo guarantees the highest quality.



Reliable product quality in accordance with EN 442.

Single layer prices and heating efficiency

Height mm	Width mm	Depth mm	Heating efficiency $\Delta T=50$ (75/65/20)		Product code	Price 1 White	Price 2 Standard Colour	Price 3 Special Editions	Price 4 Chrome
			btu	watts					
600	608	50	1.704	499	1S060060...A	£362.81	£399.09	£435.38	£1,000.99
600	912	50	2.557	749	1S060090...A	£473.74	£521.12	£568.49	£1,301.16
600	1368	50	3.834	1.123	1S060140...A	£622.52	£684.77	£747.02	£1,703.12
1200	228	50	1.171	343	1S120020...A	£313.67	£345.04	£376.41	£862.32
1200	304	50	1.560	457	1S120030...A	£361.54	£397.69	£433.85	£992.83
1200	380	50	1.949	571	1S120040...A	£408.15	£448.97	£489.78	£1,124.55
1200	456	50	2.339	685	1S120050...A	£456.02	£501.62	£547.22	£1,256.28
1500	228	50	1.437	421	1S150020...A	£324.97	£357.46	£389.96	£922.69
1500	304	50	1.915	561	1S150030...A	£374.55	£412.01	£449.46	£1,062.33
1500	380	50	2.393	701	1S150040...A	£422.85	£465.13	£507.42	£1,203.27
1500	456	50	2.871	841	1S150050...A	£472.43	£519.68	£566.92	£1,344.23
1800	228	50	1.707	500	1S180020...A	£336.71	£370.38	£404.05	£987.94
1800	304	50	2.274	666	1S180030...A	£390.22	£429.24	£468.26	£1,151.07
1800	380	50	2.844	833	1S180040...A	£443.73	£488.10	£532.48	£1,314.20
1800	456	50	3.414	1.000	1S180050...A	£497.23	£546.95	£596.68	£1,477.35

Please note: Heating efficiency will be reduced by approximately 33 % for chrome plated models.

Standard fittings included in price, other fitting available as optional extras.

operating pressure 10 bar at maximum
operating conditions hot water up to 90° C



Electric options:

- + Summer heating kit available upon request, see page 64 - 65 (not available for all sizes).
- + All electric versions available upon request, see page 66 (not available for all sizes).



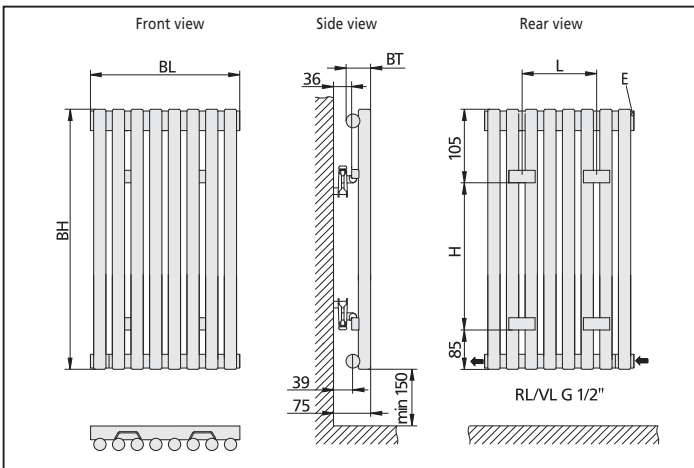
Accessories:

- + see page 54, 58, 60



Special features:

- + Available in chrome
- + Elegant transparency
- + Invisible welding
- + Overall heights 600 - 1800 mm
- + Overall widths 228 - 1368 mm



Minimum distance between floor and bottom edge of radiator should be 150 mm.

Technical data						
BH mm	BL mm	BT mm	H mm	L mm	weight kg	water content l
600	608	50	410	468	8,00	4,16
600	912	50	410	772	12,00	6,24
600	1368	50	410	1228	18,00	9,36
1200	228	50	1010	88	5,40	3,06
1200	304	50	1010	164	7,20	4,08
1200	380	50	1010	240	9,00	5,10
1200	456	50	1010	316	10,80	6,12
1500	228	50	1310	88	7,20	3,78
1500	304	50	1310	164	9,60	5,04
1500	380	50	1310	240	12,00	6,30
1500	456	50	1310	316	14,40	7,56
1800	228	50	1610	88	8,40	4,50
1800	304	50	1610	164	11,20	6,00
1800	380	50	1610	240	14,00	7,50
1800	456	50	1610	316	16,80	9,00

- Key:
- BH: actual height
 - BL: actual length
 - BT: depth
 - H: distance between fixing points
 - L: distance between fixing points
 - RL/VL: flow or return
 - E: air vent

Harmonious design

CREA[®]THERM DOUBLE LAYER

arbonia

MADE BY ARBONIA





RAL logo guarantees the highest quality.



Reliable product quality in accordance with EN 442.

Double layer prices and heating efficiency								
Height mm	Width mm	Depth mm	Heating efficiency $\Delta T=50$ (75/65/20)		Product code	Price 1 White	Price 2 Standard Colour	Price 3 Special Editions
			btu	watts				
1200	228	72	1.782	522	2S120020...A	£513.13	£564.44	£615.76
1200	304	72	2.376	696	2S120030...A	£590.95	£650.05	£709.14
1200	380	72	2.970	870	2S120040...A	£667.55	£734.31	£801.06
1200	456	72	3.564	1.044	2S120050...A	£745.37	£819.91	£894.45
1500	228	72	2.171	636	2S150020...A	£531.60	£584.76	£637.93
1500	304	72	2.895	848	2S150030...A	£612.23	£673.45	£734.68
1500	380	72	3.619	1.060	2S150040...A	£691.59	£760.75	£829.91
1500	456	72	4.343	1.272	2S150050...A	£772.21	£849.43	£926.65
1800	228	72	2.561	750	2S180020...A	£550.74	£605.82	£660.89
1800	304	72	3.414	1.000	2S180030...A	£634.27	£697.69	£761.12
1800	380	72	4.268	1.250	2S180040...A	£716.48	£788.13	£859.78
1800	456	72	5.121	1.500	2S180050...A	£800.01	£880.01	£960.01

Standard fittings included in price, other fitting available as optional extras.

operating pressure 10 bar at maximum
operating conditions hot water up to 90° C



Electric options:

- + Summer heating kit available upon request, see page 64 - 65 (not available for all sizes).
- + All electric versions available upon request, see page 66 (not available for all sizes).



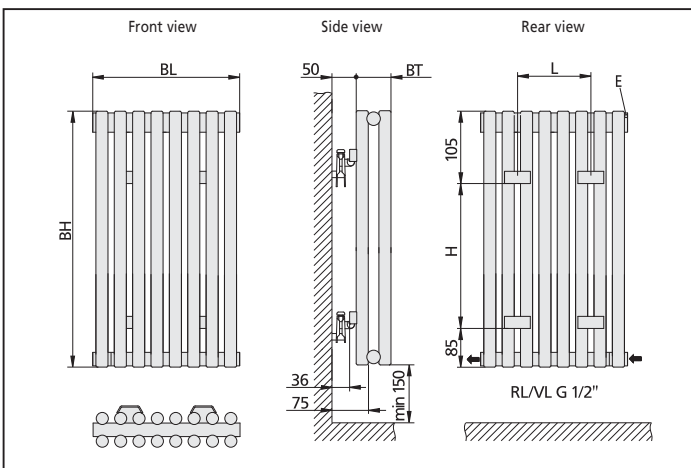
Accessories:

- + see page 54, 58, 60



Special features:

- + Elegant transparency
- + Invisible welding
- + Overall heights 1200 - 1800 mm
- + Overall widths 228 - 456 mm



Minimum distance between floor and bottom edge of radiator should be 150 mm.

Technical data						
BH mm	BL mm	BT mm	H mm	L mm	weight kg	water content l
1200	228	72	1010	88	11,40	5,76
1200	304	72	1010	164	15,20	7,68
1200	380	72	1010	240	19,00	9,60
1200	456	72	1010	316	22,80	11,52
1500	228	72	1310	88	13,80	7,14
1500	304	72	1310	164	18,40	9,52
1500	380	72	1310	240	23,00	11,90
1500	456	72	1310	316	27,60	14,28
1800	228	72	1610	88	16,80	8,58
1800	304	72	1610	164	22,40	11,44
1800	380	72	1610	240	28,00	14,30
1800	456	72	1610	316	33,60	17,16

Key:
BH: actual height
BL: actual length
BT: depth
H: distance between fixing points
L: distance between fixing points
RL/VL: flow or return
E: air vent

Distinctive,
architectural heating
solutions

ARBOTHERM

arbonia

MADE BY ARBONIA





RAL logo guarantees the highest quality.



Reliable product quality in accordance with EN 442.

Prices and heating efficiency									
Height mm	Width mm	Depth mm	Number of elements	Heating efficiency $\Delta T=50$ (75/65/20)		Product code	Price 1 White	Price 2 Standard Colour	Price 3 Special Editions
				btu	watts				
600	805	89	20	2.677	784	AT7106040080...A	£533.78	£587.16	£640.53
600	965	89	24	3.213	941	AT7106040096...A	£619.91	£681.90	£743.89
600	1125	89	28	3.749	1.098	AT7106040113...A	£707.35	£778.09	£848.82
600	1285	89	32	4.281	1.254	AT7106040129...A	£793.48	£872.83	£952.18
1500	245	89	6	1.840	539	AT7115040025...A	£399.35	£439.28	£479.22
1500	285	89	7	2.147	629	AT7115040029...A	£459.39	£505.32	£551.26
1500	365	89	9	2.762	809	AT7115040037...A	£520.72	£572.79	£624.86
1500	445	89	11	3.376	989	AT7115040045...A	£580.76	£638.83	£696.91
1800	245	89	6	2.096	614	AT7118040025...A	£433.29	£476.62	£519.95
1800	285	89	7	2.448	717	AT7118040029...A	£503.75	£554.13	£604.51
1800	365	89	9	3.148	922	AT7118040037...A	£572.92	£630.21	£687.51
1800	445	89	11	3.844	1.126	AT7118040045...A	£642.10	£706.31	£770.52

Please note: Space between heating elements is 40 mm, other spacing (30-70 mm) available upon request.

Standard fittings included in price, other fitting available as optional extras.

operating pressure 6 bar at maximum
operating conditions hot water up to 120° C



Electric options:

- + Summer heating kit available upon request, see page 64 - 65 (not available for all sizes).
- + All electric versions available upon request, see page 66 (not available for all sizes).



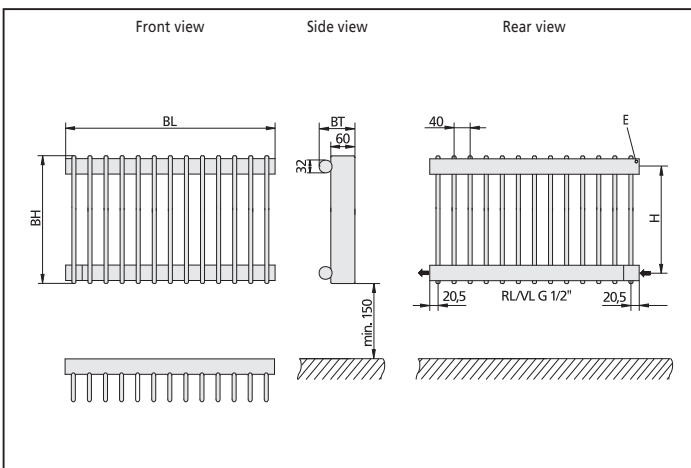
Accessories:

- + see page 54, 60



Special features:

- + Optimal heating response times
- + Available made to measure size
- + Overall heights 600 - 1800 mm
- + Overall widths 245 - 1285 mm



Minimum distance between floor and bottom edge of radiator should be 150 mm.

Technical data						
BH mm	BL mm	BT mm	H mm	weight kg	water content l	
600	805	89	556	20,00	5,40	
600	965	89	556	24,00	6,48	
600	1125	89	556	28,00	7,56	
600	1285	89	556	32,00	8,64	
1500	245	89	1456	14,40	4,05	
1500	285	89	1456	16,80	4,73	
1500	365	89	1456	21,60	6,08	
1500	445	89	1456	26,40	7,43	
1800	245	89	1756	16,80	4,86	
1800	285	89	1756	19,60	5,67	
1800	365	89	1756	25,50	7,29	
1800	445	89	1756	30,80	8,91	

- Key:**
- BH: actual height
 - BL: actual length
 - BT: depth
 - H: distance between fixing points
 - VL/RL: flow or return
 - E: air vent

High heat output
from a compact
source

WINDOW CONVECTOR





RAL logo guarantees the highest quality.



Reliable product quality in accordance with EN 442.

Prices and heating efficiency

Height mm	Width mm	Depth mm	Heating efficiency $\Delta T=50$ (75/65/20)		Product code	Price 1 White	Price 2 Standard Colour	Price 3 Special Editions
			btu	watts				
140	1000	72	1.854	543	KNN21014100.61K	£422.85	£465.13	£507.42
140	1200	72	2.226	652	KNN21014120.61K	£455.47	£501.02	£546.56
140	1400	72	2.595	760	KNN21014140.61K	£488.10	£536.91	£585.72
140	1600	72	2.967	869	KNN21014160.61K	£520.72	£572.79	£624.86
140	2000	72	3.708	1.086	KNN21014200.61K	£585.98	£644.58	£703.18
140	1000	133	2.997	878	KNN32014100.61K	£619.91	£681.90	£743.89
140	1200	133	3.598	1.054	KNN32014120.61K	£685.16	£753.68	£822.19
140	1400	133	4.196	1.229	KNN32014140.61K	£749.11	£824.03	£898.94
140	1600	133	4.797	1.405	KNN32014160.61K	£813.06	£894.36	£975.67
140	2000	133	5.995	1.756	KNN32014200.61K	£942.26	£1,036.48	£1,130.71

Please note: Intermediate and additional sizes available upon request.
Made to measure widths and heights available along with curved models.
Also available as bench convectors (seat not supplied).

Alternative tapping configurations upon request.

operating pressure 6 bar at maximum
operating conditions hot water up to 110° C



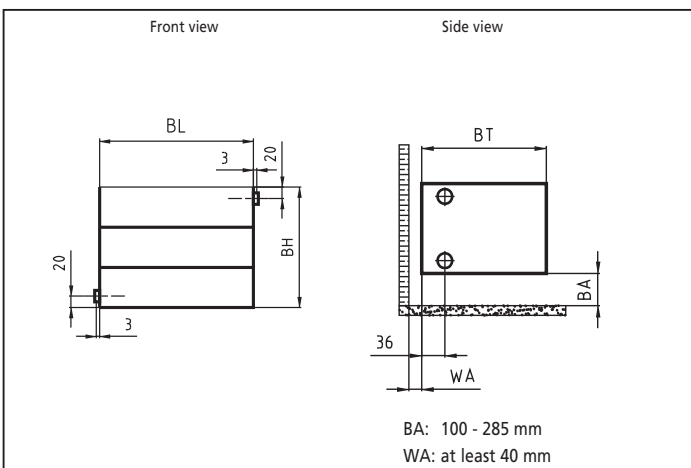
Accessories:

+ see page 60



Special features:

- + Suitable for use below large panoramic windows
- + Overall height 140 mm
- + Overall widths 1000 - 2000 mm
- + Supplied with universal wall or floor mounting brackets






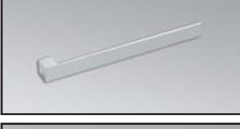

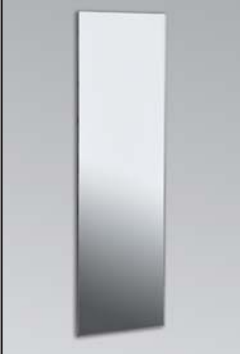



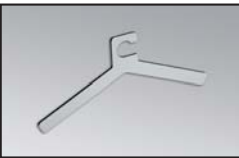
BH mm	BL mm	BT mm	weight kg	water content l
140	1000	72	13,50	2,58
140	1200	72	16,20	3,10
140	1400	72	18,90	3,60
140	1600	72	21,60	4,10
140	2000	72	27,00	5,10
140	1000	133	22,10	4,10
140	1200	133	26,50	4,90
140	1400	133	31,00	5,70
140	1600	133	35,40	6,60
140	2000	133	44,20	8,20

Key:
BH: actual height
BL: actual length
BT: depth
BA: distance bottom
WA: distance wall

Minimum distance between floor and bottom edge of radiator should be 150 mm.








ACCESSORIES



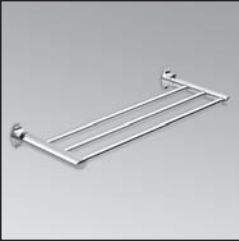


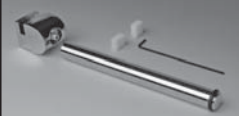
	Description	Product code	Unit	Price	Ideos®	Fedon®	Optotherm®	Plantherm®	Jive® single layer, double layer	Icaro®	Credo-Uno® II	Bagnotherm straight	Bagnotherm curved	Mezzo Quadro®	Basic® straight	Basic® curved	Credo®-Half®	Credo®	Credo-Swing®	Karotherm®	Heating wall	Column radiator	Crea®therm	Arbotherm	Window convector
	Cleaning Brush	ZK00130002	1	£34.81																					
	Towel hook depth 25 mm chrome-plated	ZC00800001	1	£64.60	•																				
	Towel ring depth 146 mm, length 266 mm suitable for total width 508 mm, 758 mm chrome-plated	ZC00820001	1	£172.26	•																				
	Towel rail depth 106 mm, length 516 mm suitable for total width 758 mm chrome-plated	ZC00810001	1	£172.26	•																				
	Towel hook depth 48 mm chrome-plated	ZC00830001	1	£80.03	•																				
	Towel rail depth 47 mm, length 455 mm chrome-plated	ZC00840001	1	£165.55	•																				
	Glass shelf depth 82 mm, dimension 202 x 82 mm, chrome-plated	ZC00850001	1	£329.14	•																				
	Mirror depth 12 mm, dimension 600 x 200 mm	ZC00870001	1	£107.68	•																				

	Description	Product code	Unit	Price	Ideos®	Fedon®	Optotherm®	Plantherm®	Jive® single layer, double layer	Icaro®	Credo-Uno® II	Bagnotherm straight	Bagnotherm curved	Mezzo Quadro®	Basic® straight	Basic® curved	Credo-Half®	Credo®	Credo-Swing®	Karotherm®	Heating wall	Column radiator	Crea®therm	Arbotherm	Window convector
	Hanger depth 208 mm, dimension 208 x 82 mm chrome-plated	ZC00860001	1	£269.86		•																			
	Coat Hanger dimension 480 x 210 mm aluminium	ZC00880001	1	£51,64		•																			



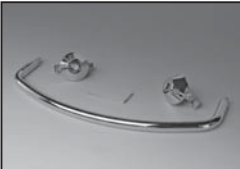
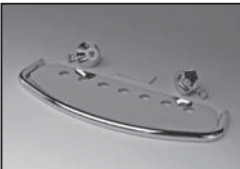





ACCESSORIES


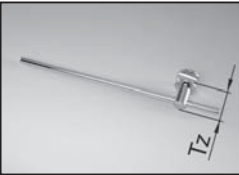

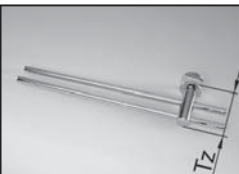




Description	Product code	Unit	Price	Ideos®	Fedon®	Optotherm®	Plantherm®	Jive® single layer, double layer	Icaro®	Crede-Uno® II	Bagnotherm straight	Bagnotherm curved	Mezzo Quadro®	Basic® straight	Basic® curved	Crede®-Half*	Crede®	Crede-Swing®	Karotherm®	Heating wall	Column radiator	Crea®therm	Arbotherm	Window convector
 Towel hook depth 38 mm chrome-plated	ZC00710001	1	£61.23																					
 Towel rail dual fixing depth 43 mm suitable for total width 471 mm chrome-plated suitable for total width 621 mm chrome-plated suitable for total width 771 mm chrome-plated	ZC00720001	1	£170.78							•														
	ZC00720002	1	£200.97																					
	ZC00720003	1	£231.10																					
 Shelf with glass depth 186 mm suitable for total width 471 mm chrome-plated suitable for total width 621 mm chrome-plated suitable for total width 771 mm chrome-plated	ZC00740001	1	£338.82															•						
	ZC00740002	1	£370.92																					
	ZC00740003	1	£412.61																					
 Left hand towel rail depth 43 mm suitable for total width 471 mm chrome-plated suitable for total width 621 mm chrome-plated suitable for total width 771 mm chrome-plated	ZC00770001	1	£172.65																•					
	ZC00770002	1	£199.48																					
	ZC00770003	1	£228.47																					
 Right hand towel rail depth 43 mm suitable for total width 471 mm chrome-plated suitable for total width 621 mm chrome-plated suitable for total width 771 mm chrome-plated	ZC00770004	1	£172.65																•					
	ZC00770005	1	£199.48																					
	ZC00770006	1	£228.47																					
 Towel hook depth 74 mm aluminium-lacquered chrome-plated	ZC00510001	1	£29.22											•	•									
	ZC00510002	1	£42.78																					
 Towel hook depth 74 mm aluminium-lacquered chrome-plated	ZC00540001	1	£29.22																•					
	ZC00540002	1	£42.78																					

	Description	Product code	Unit	Price	Ideos®	Fedor®	Optotherm®	Plantherm®	Jive® single layer, double layer	Icaro®	Credo-Uno® II	Bagnotherm straight	Bagnotherm curved	Mezzo Quadro®	Basic® straight	Basic® curved	Credo®-Half®	Credo®	Credo-Swing®	Karotherm®	Heating wall	Column radiator	Crea®therm	Arbotherm	Window convector	
	Pull out towel rail suitable for total width 455 mm aluminium-lacquered surface standard colours or special editions chrome-plated	ZC00470001	1	£127.60																						
		ZC0047 * ZC00470002	1	£140.37 £144.37																						
		ZC00470003	1	£127.60																						
		ZC0047 * ZC00470004	1	£140.37 £144.37																						
		ZC00470005	1	£127.60																						
		ZC0047 * ZC00470006	1	£140.37 £144.37																						
	*please specify size and colour when ordering																									
	Towel rail depth 75 mm suitable for total width 599 mm may be shortened to width 450 mm aluminium-lacquered chrome-plated	ZC00430001	1	£52.86																						
		ZC00430002	1	£112.17																						
		ZC00430003	1	£55.17																						
		ZC00430004	1	£116.75																						
	Towel shelf depth 211 mm suitable for total width 599 mm may be shortened to width 450 mm aluminium-lacquered chrome-plated	ZC00410001	1	£75.71																						
		ZC00410002	1	£134.98																						
		ZC00410003	1	£77.89																						
		ZC00410004	1	£139.47																						
	Mirror/Inlay mirror for size 400 x 1600 inlay - white RAL 9016	ZC000790001	1	£429.35																						
		ZC0079	1	£282.75																						
		ZC0079	1	£310.72																						
		ZC0079	1	£338.96																						
		ZC000790002	1	£429.35																						
		ZC0079	1	£282.47																						
		ZC0079	1	£310.72																						
		ZC0079	1	£338.96																						
	please specify size and colour when ordering																									
	Towel rail KAROPLUS length 500 mm chrome-plated	ZC0001 0001	1	£139.01																						
		ZC00770002	1	£139.01																						
	Towel rail KAROPLUS length 210 mm chrome-plated	ZC0002 0001	1	£128.95																						


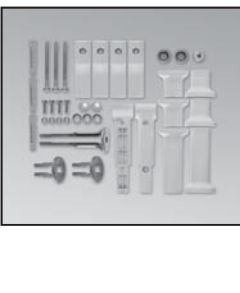


ACCESSORIES

	Description	Product code	Unit	Price	Ideos®	Fedon®	Optotherm®	Plantherm®	Jive® single layer, double layer	Icaro®	Crede-Uno® II	Bagnotherm straight	Bagnotherm curved	Mezzo Quadro®	Basic® straight	Basic® curved	Crede®-Half®	Crede®	Crede-Swing®	Karotherm®	Heating wall	Column radiator	Creatherm®	Arbotherm	Window convector
	L-hook chrome-plated	ZC0003 0001	1	£80.78																					
	C-rail chrome-plated	ZC0004 0001	1	£90.54																					
	Towel rail set length 340 mm chrome-plated	ZC0005 0001	1	£138.66																					
	Panel set length 340 mm chrome-plated	ZC0006 0001	1	£264.72																					
	Towel rail length = 370 mm depth = 90 mm total height = 70 mm chrome-plated with vertical tubes, from 10 elements	ZC0007 0001	1	£47.35																					
	Hook Set chrome-plated	ZC0008 0001	1	£72.45																					
	Towel rail length 1000 mm Pack contains: 2 brackets (ZC0010 0001) 1 steel tube 1000 x 30 x 10 mm (cut to size as required) surface steel tube:																								
	white RAL 9016	ZC00090002	1	£168.64																					
	standard Colours	ZC0009	1	£185.50																					
	special Editions	ZC0009	1	£202.36																					
	chrome	ZC00090001	1	£209.26																					

ACCESSORIES

	Description	Product code	Unit	Price	Ideos®	Fedon®	Optotherm®	Plantherm®	Jive® single layer, double layer	Icaro®	Crede-Uino® II	Bagnotherm straight	Bagnotherm curved	Mezzo Quadro®	Basic® straight	Basic® curved	Crede®-Half®	Crede®	Crede-Swing®	Karotherm®	Heating wall	Column radiator	Crea®therm	Arbotherm	Window convector
	Towel hook Tz = 55 mm	ZC0023 0001	1	£80.88								•	•												
	Open towel rail length = 450 mm length = 600 mm length = 750 mm chrome-plated Tz = 55 mm	ZC0024 0001 ZC0024 0002 ZC0024 0003	1 1 1	£190.07 £220.40 £230.51								•													
	Open towel rail length = 498 mm length = 598 mm length = 748 mm chrome-plated Tz = 55 mm	ZC0025 0001 ZC0025 0002 ZC0025 0003	1 1 1	£230.51 £260.84 £270.94										•											
	Open towel rail, double length = 450 mm length = 600 mm length = 750 mm chrome-plated Tz = 93 mm	ZC0026 0001 ZC0026 0002 ZC0026 0003	1 1 1	£250.73 £281.05 £291.17								•													
	Open towel rail, double length = 498 mm length = 598 mm length = 748 mm chrome-plated Tz = 93 mm	ZC0027 0001 ZC0027 0002 ZC0027 0003	1 1 1	£291.17 £321.49 £331.61										•											
	Towel shelf length = 320 mm length = 470 mm length = 620 mm chrome-plated	ZC0028 0001 ZC0028 0002 ZC0028 0003	1 1 1	£313.40 £343.73 £374.07								•													
	Swivelling towel rail length = 450 mm length = 500 mm length = 550 mm length = 600 mm length = 750 mm length = 900 mm chrome-plated	ZC0030 0001 ZC0030 0002 ZC0030 0003 ZC0030 0004 ZC0030 0005 ZC0030 0007	1 1 1 1 1 1	£260.84 £270.94 £281.05 £291.17 £301.28 £311.38								•													
	Swivelling towel rail length = 500 mm length = 600 mm length = 750 mm chrome-plated	ZC0031 0002 ZC0031 0004 ZC0031 0005	1 1 1	£291.17 £311.38 £321.49										•											

ACCESSORIES

	Description	Product code	Unit	Price	Ideos®	Fedon®	Optotherm®	Plantherm®	Jive® single layer, double layer	Icaro®	Credo-Uno® II	Bagnotherm straight	Bagnotherm curved	Mezzo Quadro®	Basic® straight	Basic® curved	Credo®-Half*	Credo®	Credo-Swing®	Karotherm®	Heating wall	Column radiator	Crea®therm	Arbotherm	Window convector
	Towel rail length = 500 mm length = 700 mm chrome-plated	ZC00170001 ZC00170002	1 1	£585.47 £585.47																			•		
	Room divider kit * Please quote colour with order! Pack contains: 2 wall bracket pins with covers 1 floor bracket pin with cover 3 plugs Ø 10, 3 screws 8 x 80, 1 air vent 2 blanking plugs room divider white room divider metallica / graphite	ZM00280002 ZM0028*	1 1	£50.59 £55.65										•											
	Thermostatic sensor head chrome stainless steel appearance	ZV00380001 ZV00380002	1 1	£27.56 £38.34	•				•	•	•			•	•	•	•	•	•						
	Straight and Angled chrome valves (pair) available upon request				•						•	•	•	•	•	•	•	•	•	•	•	•	•	•	•



SUMMER HEATING KITS AND ALL ELECTRIC OPTIONS



Multi-function

This connection method allows the radiator to be used either on the central heating system or independently during summer months when the heating system is turned off.



All-electric

Can only be used in isolation of the central heating system or in areas where the central heating system is not available.

Equipped to meet the demands of any situation

Kermi Design Radiators are suitable for connection to all conventional central heating systems, such as oil, or gas, additionally a number of models offer the option by the addition of a summer heating kit of working on electricity also. This means that they are multifunctional and can be operated during the summer months allowing the room to be warmed and towels to be dried when the central heating system is turned off.

If you would like the product to operate completely independently of the heating system or to have a design radiator in an area not served by the central heating system you can choose one of the all electric models which are supplied as a sealed unit complete with an electronically controlled heating rod, heat transfer liquid, and controller. Simply fit the product on the wall and connect to the power supply for immediate warmth.

Whether you select the multifunction or all electric option you will be purchasing a product that includes the most advanced technology combined with maximum control. Kermi offer two control methods to suit your lifestyle.

WRT – Manual thermostatic control

Simply turn on and set the desired room temperature and the electronically controlled heating rod will ensure that the desired temperature is maintained. In order to give you peace of mind all Kermi electronically controlled heating rods have an integrated safety device which protects the product against frost and the possibility of the product running dry. Regardless of the temperature that has been set should you require additional heat quickly there is a boost button in the centre of the control which when pressed operates the product on full power for a period of 60 minutes.

WIR – Infrared Remote thermostatic control

The infrared remote controller offers maximum control; installed on the wall adjacent to the product you can programme the radiator to work individually based on the time of day or day of the week, additionally you can activate the towel drying feature at 30 minute intervals.

Simply touch the remote control screen with the integrated stylus or with your finger and the commands are transmitted via the infrared receiver module to the electronically controlled heating rod ensuring that you will always have the desired temperature whilst saving energy via the optimised control of the running times.

As with the manually controlled model the frost and dry running protection features are included. All components used in Kermi products have been inspected by independent Institutes for quality assurance ensuring longevity and consistent performance.



With the WRT version the desired room temperature is set by simply adjusting the rotary controller. The 60 minute boost function is operated by depressing the button in the centre of the controller.



The infrared remote control system in the WIR model is state of the art technology for individual heating comfort.

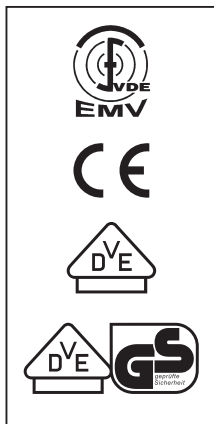


Programming the unit is both logical and intuitive and is achieved by the use of the integrated stylus or your finger.



Information transmitted by the controller is transferred to the electronically controlled heating rod by the infrared reception unit.

SUMMER HEATING KITS



To use the radiator with a summer heating kit it should be installed as an integral part of the central heating system. It must be completely filled with water and fully bled to ensure there is no air trapped in the radiator. If any air is trapped and the radiator is not full of water the heat output will be adversely affected when using an electric heating rod.

As with any radiator included on the central heating system the expansion of the water contained in the radiator to the expansion tank must be guaranteed, whether it is being used with an electrical rod or not and even if the flow valve is closed.

When installing a valve on the return side of the radiator and during operation with an electrical heating rod this valve must always be open you should ensure that it can only be operated with the correct tool to prevent the valve inadvertently being locked.

Note:

Use of the summer heating kit with electric element only without a separate timer or means of isolation may increase electricity consumption.

Electrical Set WIR or WRT for electrical operation



WIR

Set comprises: a network connection element for wall assembly, an infrared remote controller, an infrared receiver module, and an electronically controlled heating rod.

The network connection element (protection rating IPX4) for wall mounting on a black back plate (screw holes must be positioned horizontally and have a clearance of 60 mm).

Towel drying feature is independent of the room temperature and can be individually set for each day at programmable intervals. Programmable time interval: 30 minutes. 60 Minute booster (full load).









Heating rod with integrated frost and dry running protection, including function display Heat/Off/Booster/Malfunction. Infrared remote controller (protection class 3) with touch screen and operating stylus integrated in the housing Remote control for individual heating regulation during programmed time intervals. Programmable time interval is 30 minutes.



WRT

Set comprises a control box for wall mounting on a black back plate (screw holes must be arranged horizontally and have a clearance of 60 mm), an electronically controlled heating rod allowing infinitely variable regulation of the water temperature or 60 minute booster (full load).

The unit has integral protection against frost and dry running, including function display i.e. Heat/Off/Booster/Malfunction.

Description		Product code	Supply unit	Price £ incl. VAT	Jive® single-layer	Jive® multi-layer	Icaro®	Crede-Uno® II	Bagnotherm	Basic® straight	Basic® curved	Crede®-Half®	Crede®-Swing®	Crede®	Column radiator	Creatherm	Arbotherm
	Summer heating element Not suitable as all electric option. Recommended for installation with a separate time switch.																
	Attention! Suitable for use with Kermi radiators only.																
	300 Watts/AC 230 V	ZE00660001	1	£127.44						•	•		•				
	400 Watts/AC 230 V	ZE00660002	1	£127.44						•	•		•				
	600 Watts/AC 230 V	ZE00660003	1	£139.13						•	•		•				
	800 Watts/AC 230V	ZE00660004	1	£150.82						•	•		•				
1200 Watts/AC 230 V	ZE00660005	1	£150.82						•	•		•					
	Electro Set WRT Manual thermostatic control																
	500 Watts/AC 230 V	ZE00010073	1	£232.66	•			•	•	•	•	•	•	•			
	800 Watts/AC 230 V	ZE00010074	1	£244.35	•	•		•	•	•	•	•	•	•			
	1100 Watts/AC 230 V	ZE00010075	1	£256.05		•		•	•	•	•	•	•	•			
	1500 Watts/AC 230 V	ZE00010076	1	£267.74				•	•	•	•	•	•	•			
	Electro Set WIR Infrared thermostatic control with LCD programmable timer																
	500 Watts/AC 230 V	ZE00010077	1	£291.12	•			•	•	•	•	•	•	•			
	800 Watts/AC 230 V	ZE00010078	1	£302.81	•	•		•	•	•	•	•	•	•			
	1100 Watts/AC 230 V	ZE00010079	1	£314.50		•		•	•	•	•	•	•	•			
	1500 Watts/AC 230 V	ZE00010080	1	£326.19				•	•	•	•	•	•	•			
	T piece chrome plated	ZT00560001	1	£15.19				•	•	•	•	•					
	Electro Set WRT Manual thermostatic control																
	500 Watts/AC 230 V	ZE00010009	1	£232.66					•						○	○	○
	800 Watts/AC 230 V	ZE00010010	1	£244.35					•						○	○	○
	1100 Watts/AC 230 V	ZE00010011	1	£256.05					•						○	○	○
	1500 Watts/AC 230 V	ZE00010012	1	£267.74					•						○	○	○
	Electro Set WIR Infrared thermostatic control with LCD programmable timer																
	500 Watts/AC 230 V	ZE00010013	1	£291.12					•						○	○	○
	800 Watts/AC 230 V	ZE00010014	1	£302.81					•						○	○	○
	1100 Watts/AC 230 V	ZE00010015	1	£314.50					•						○	○	○
	1500 Watts/AC 230 V	ZE00010016	1	£326.19					•						○	○	○

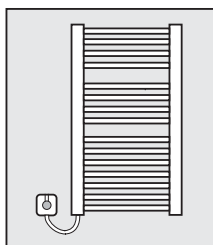
- available
- not available in all sizes,
please check with our sales office

The following products are available in all electric option.

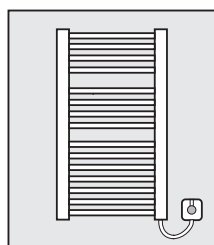
ALL ELECTRIC OPTIONS AND RELEVANT SURCHARGES

The following surcharges include factory filling and the appropriate controller.

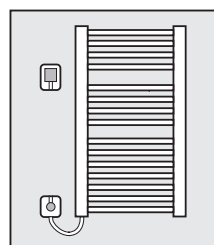
When placing your order, please indicate which all electric option you require.



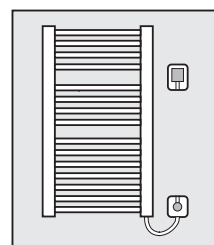
Electro set WRT left



Electro set WRT right



Electro set WIR left



Electro set WIR right

	WRT - Price £ incl. VAT	WIR - Price £ incl. VAT
Jive® Single Layer	£349.58	£408.04
Icaro®	£349.58	£408.04
Credo-Uno® II	£349.58	£408.04
Bagnotherm Straight Version Curved Version	£349.58	£408.04
Basic® Straight Version Curved Version	£349.58	£408.04
Credo®-Half®	£349.58	£408.04
Credo®	£349.58	£408.04
Credo-Swing®	£349.58	£408.04
Karotherm®*	£349.58	£408.04
Crea®therm* Single Layer Double Layer	£349.58	£408.04
Arbotherm*	£349.58	£408.04

* Not available for all sizes or finishes.



ARBONIA COLOUR RANGE

arbonia

STANDARD FINISH



white RAL 9016

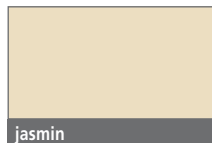
STANDARD COLOURS



bahama



manhattan



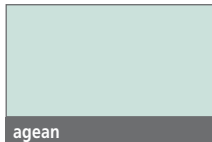
jasmin



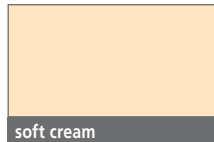
edelweiss



pergamon



aegean



soft cream



calypso



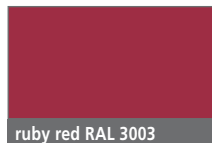
greenwich



pearl white RAL 1013



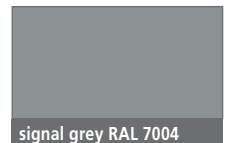
flame red RAL 3000



ruby red RAL 3003



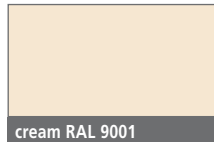
ultra marine blue RAL 5002



signal grey RAL 7004



light grey RAL 7035



cream RAL 9001



pure white RAL 9010



traffic yellow RAL 1023



cobalt blue RAL 5013



night blue RAL 5022



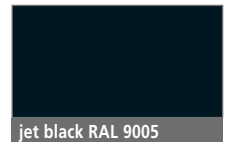
moss green RAL 6005



anthracite RAL 7016



chocolate brown RAL 8017



jet black RAL 9005



traffic black RAL 9017



NIC Paris

SPECIAL EDITIONS



sun gold



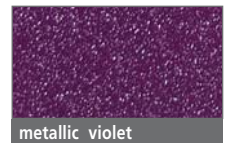
metallic copper



metallic antracite

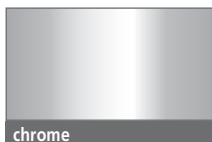


metallic jeans



metallic violet

CHROME



chrome

The colours depicted are representative of the final finish, but should not be used for the purpose of colour matching.

SPECIAL EDITIONS

In addition to its well known and extensive range of colours, Arbonia has now added eighteen modern finishes in the Fresh, warm, cool categories of its New Inspirations series.

FRESH



SKY BLUE
SF NIC F 001**



DEEP OCEAN
SF NIC F 002**



AMAZONAS
SF NIC F 003**



BAMBOO
SF NIC F 004



PAPAYA
SF NIC F 005



CHERRY
SF NIC F 006



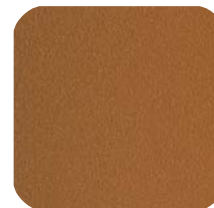
WARM



IVORY
SF NIC W 001*



CURRY
SF NIC W 002*



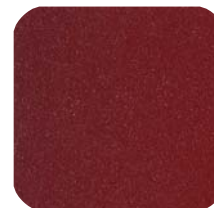
SAHARA
SF NIC W 003*



SUNNYDAY
SF NIC W 004*



CHILI
SF NIC W 005*



REED
SF NIC W 006*



COOL



SNOW
SF NIC C 001**



ICE BLUE
SF NIC C 002**



ARCTIC BLUE
SF NIC C 003**



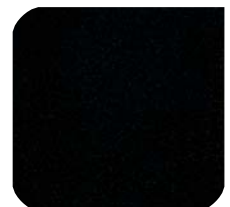
IRON SF
SF NIC C 004



SLATE
SF NIC C 005*



ONYX
SF NIC C 006*



The innovative
coating and
colour range
for modern living

KERMI COLOUR RANGE



STANDARD FINISH



STANDARD COLOURS



The colours depicted are representative of the final finish, but should not be used for the purpose of colour matching.

SPECIAL EDITIONS



Edition Soft
A luxury satin surface with a silky soft effect.



white, RAL 9016 soft



pure white, RAL 9010 soft



manhattan soft



aegean soft



bahama beige soft



pergamon soft



black soft



Edition Nature
The glorious hues of nature - fresh and expressive.



citrus nature



olive nature



corn nature



purple nature



crocus nature



lavender nature



Edition Ethno
The warm powerful tones of exotic cultures.



solero ethno



inca ethno



carmina ethno



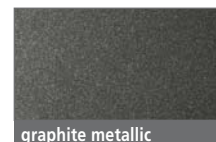
terra ethno



Edition Metallic
Retro styling classically interpreted in shining metallic tones.



W | metallica metallic



graphite metallic



heliosgold metallic



circonsilver metallic



matt bronze metallic



classic copper metallic

CHROME



chrome*

* only available in certain ranges





Kermi shower enclosures and design radiators have been developed harmoniously both in design and function. Modern manufacturing methods combined with the unique ability to colour match the shower enclosure and the radiators set Kermi apart from the competition. From minimalist designs to the more traditional products, Kermi offers a solution to meet the requirements of the most discerning customers. The Kermi quality pedigree will ensure that the product provides many years of trouble free performance.



For further information on our enclosure programme, please contact your retailer or Kermi (U.K.) Limited for a copy of our shower enclosure price list.

Kermi offer a full range of steel panel radiators for all applications. Please look at our website or contact our sales office for more information.



Classic Convector Radiator
Price list 2010/2011



Kermi (U.K.) Ltd.
7 Brunel Road
Earlstrees Industrial Estate
Corby
Northants
NN17 4JW

Telephone 01536 400004
Telefax 01536 446614

www.kermi.co.uk
info@kermi.co.uk

 A company in the
AFG
Arbonia-Forster-Holding AG